



# PARTS CATALOGUE

**YZ450FX** (2S2B) U.S.A., CANADA

**YZ450F** (2S2C) EUROPE

**YZ450F** (2S2D) JAPAN

**YZ450FX** (2S2E) OCEANIA, SOUTH AFRICA



1G2S2-100E1

( 2G2S2-100E1 )

NEWS No.	DATE	COMMENT
PE0-MC-070079	Oct.,17,2007	FIG.26:FRONT FORK LIST CORRECTION

YZ450FX/YZ450F  
PARTS CATALOGUE  
©2007 by Yamaha Motor Co., Ltd.  
1st edition, June 2007  
All rights reserved.  
Any reprinting or unauthorized use  
without the written permission of  
Yamaha Motor Co., Ltd.  
is expressly prohibited.

**A3**

# FOREWORD

This Parts Catalogue is related to the parts for the model(s) on the cover page. When you are ordering replacement parts, please refer to this Parts Catalogue and quote both part numbers and part names correctly.

1. Modifications or additions which have been made after the issue of the Parts Catalogue will be announced in the Parts News.

It is advisable that you make the necessary corrections to the Parts Catalogue according to the Parts News.

2. Abbreviations

The following abbreviations are used in this Parts Catalogue.

“UR” Use specified parts number.

“UN” Use as many as needed.

“AP” Alternate Parts

“LM” Locally Made (Parts need to be ordered locally)

“F#” Frame No. (Applicable machine No.)

“O/S” Over Size

3. The number of components for assembly

- Parts, which are to be supplied in an assembly, are listed with a dot (.) in front of the part name as shown below.
- The numeral appearing to the right of each component part indicates the quantity of parts for each assembly unit.

PART NO.	DESCRIPTION	Q'TY	REMARKS
2F5-83310-60	FRONT FLASHER LIGHT ASSY	2	
115-83311-60	.BULB (6V-18W)	1	

4. Applicable colours of graphics are represented in the “REMARKS” as shown below.

PART NO.	DESCRIPTION	Q'TY	REMARKS
2N4-24110-00-X5	FUEL TANK COMP.	2	MXR
3J1-24240-10	.GRAPHIC, FUEL TANK	1	FOR MXR

5. Note that the illustrations for reference in finding parts numbers are not to be used for assembling. When assembling, please use the applicable service manual.

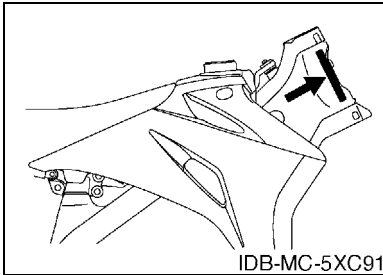
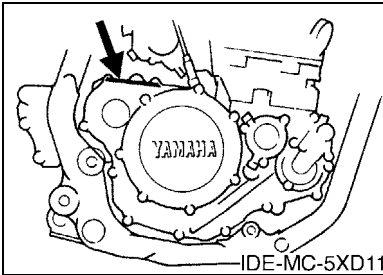
6. The asterisk (\*) before a reference number indicates modified items after the first edition.

# FOREWORD

7. Applicable Serial No.

Engine Serial No.

Frame Serial No.



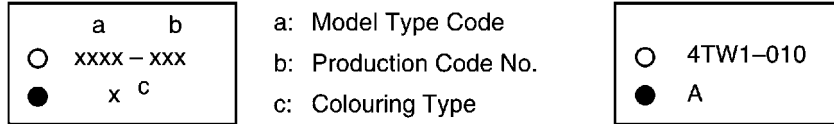
8. Applicable Colour Code (The (\*) mark shows Model colour.)

Abbreviation	Colour Name	Colour Code
DPBSE(*)	DEEP PURPLISH BLUE SOLID E	0583
PWS1(*)	PURPLISH WHITE SOLID 1	0206

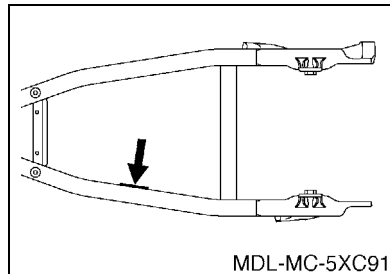
# MODEL LABEL

(1) A label called "Model Label" is affixed in the location as indicated in (3) below. When using this parts catalogue, please be sure to cross-reference the "model code - production code No." in the catalogue with the "model code - production code No." indicated on the Model Label affixed onto the product concerned.

(2) "Model Label" Indication



(3) Model Label Affixing Location



(4) Colouring Information

Model Code	Colouring Type Code	Colour Code	Colour Name	Abbreviation
2S2B	A	0583	DEEP PURPLISH BLUE SOLID E	DPBSE
	B	0206	PURPLISH WHITE SOLID 1	PWS1
2S2C	A	0583	DEEP PURPLISH BLUE SOLID E	DPBSE
	B	0206	PURPLISH WHITE SOLID 1	PWS1
2S2D	A	0583	DEEP PURPLISH BLUE SOLID E	DPBSE
2S2E	A	0583	DEEP PURPLISH BLUE SOLID E	DPBSE
	B	0206	PURPLISH WHITE SOLID 1	PWS1

(5) Model Code - Production Code Number of Model Listed in This Parts Catalogue

Model Code	Production Code No.	Country (destination)	Model Code	Production Code No.	Country (destination)
2S2B	010	U.S.A.			
	020	CANADA			
2S2C	010	EUROPE			
2S2D	010	JAPAN			
2S2E	010	AUSTRALIA			
		NEW ZEALAND			
		SOUTH AFRICA			

# CONTENTS

## ENGINE

CYLINDER .....	B2
CRANKSHAFT & PISTON .....	B4
VALVE .....	B5
CAMSHAFT & CHAIN .....	B7
WATER PUMP .....	B8
RADIATOR & HOSE .....	B9
OIL PUMP .....	B11
OIL CLEANER .....	B12
INTAKE .....	B13
CARBURETOR .....	B14
EXHAUST .....	C4
EXHAUST 2 .....	C5
CRANKCASE .....	C6
CRANKCASE COVER 1 .....	C8
STARTER .....	C10
CLUTCH .....	C11
TRANSMISSION .....	C12
SHIFT CAM & FORK .....	C14
SHIFT SHAFT .....	C15

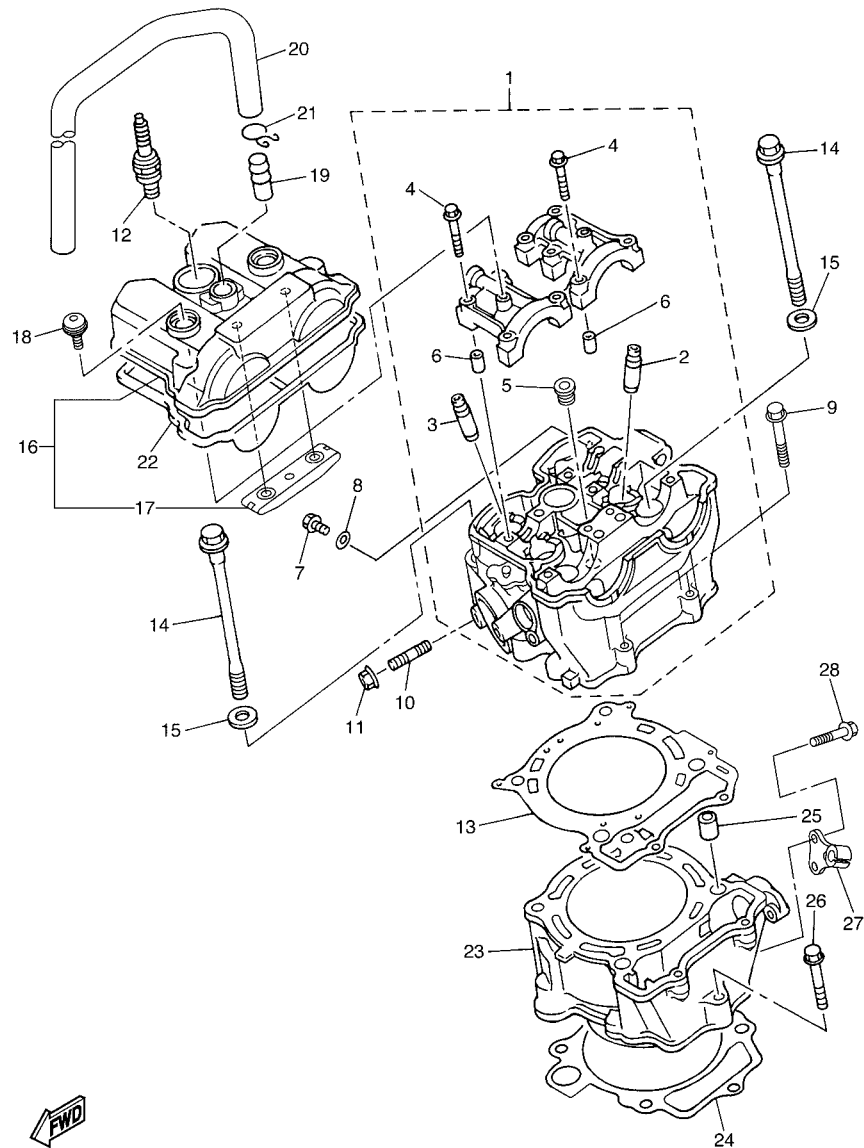
## CHASSIS

FRAME .....	D2
FENDER .....	D4
SIDE COVER .....	D6
REAR ARM .....	D7
REAR SUSPENSION .....	D9
STEERING .....	D11
FRONT FORK .....	D12
FUEL TANK .....	D15
SEAT .....	E3
FRONT WHEEL .....	E4
FRONT BRAKE CALIPER .....	E5
REAR WHEEL .....	E6
REAR BRAKE CALIPER .....	E8
STEERING HANDLE & CABLE .....	E9
FRONT MASTER CYLINDER .....	E10
STAND & FOOTREST .....	E11
REAR MASTER CYLINDER .....	E12
GENERATOR .....	E13
HANDLE SWITCH & LEVER .....	E14
ELECTRICAL 1 .....	E15

ALTERNATE FOR CHASSIS .....	F2
-----------------------------	----

## INDEX

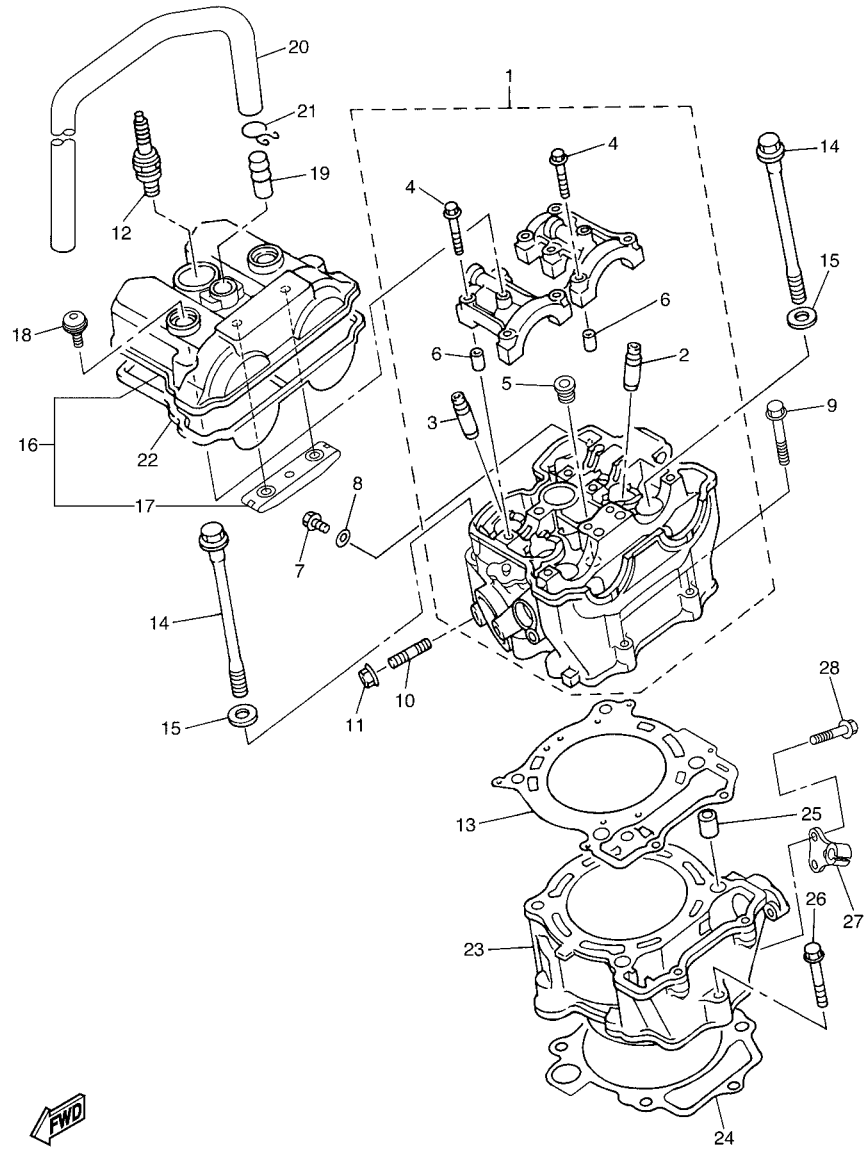
NUMERICAL INDEX .....	M1
-----------------------	----



2S2B100-G010

FIG. 1 CYLINDER

REF. NO.	PART NO.	DESCRIPTION	2S2B	2S2C	2S2D	2S2E	REMARKS
1	2S2-11102-10	CYLINDER HEAD ASSY	1	1	1	1	
2	5TA-11133-10	.GUIDE, VALVE 1	3	3	3	3	
3	5TA-11134-10	.GUIDE, VALVE 2	2	2	2	2	
4	90105-06027	.BOLT, FLANGE	10	10	10	10	
5	90340-12007	.PLUG, STRAIGHT SCREW	1	1	1	1	
6	91808-16023	.PIN, DOWEL	4	4	4	4	
7	95022-06010	BOLT, FLANGE	1	1	1	1	
8	90430-06014	GASKET	1	1	1	1	
9	95022-06035	BOLT, FLANGE	2	2	2	2	
10	90116-08022	BOLT, STUD	1	1	1	1	
11	95702-08500	NUT, WITH WASHER	1	1	1	1	
12	94701-00411	PLUG, SPARK (NGK R CR8E)	1	1		1	STD
	94703-00411	PLUG, SPARK (NGK R CR8E)			1		STD
	94701-00410	PLUG, SPARK (NGK R CR9E)	1	1		1	AP
	94703-00410	PLUG, SPARK (NGK R CR9E)			1		AP
13	2S2-11181-00	GASKET, CYLINDER HEAD 1	1	1	1	1	
14	90105-10163	BOLT, FLANGE	4	4	4	4	
15	90201-10025	WASHER, PLATE	4	4	4	4	
16	2S2-11190-10	COVER, CYLINDER HEAD 1	1	1	1	1	
17	5BE-12241-00	.GUIDE, STOPPER 2	1	1	1	1	
18	5UM-1119E-00	BOLT, COVER HEAD	2	2	2	2	
19	371-11167-01	PIPE, BREATHER 2	1	1	1	1	
20	2S2-11166-00	PIPE, BREATHER 1	1	1	1	1	
21	90467-140A4	CLIP	1	1	1	1	
22	2S2-11193-00	GASKET, HEAD COVER 1	1	1	1	1	
23	2S2-11311-10	CYLINDER 1	1	1	1	1	
24	2S2-11351-00	GASKET, CYLINDER	1	1	1	1	

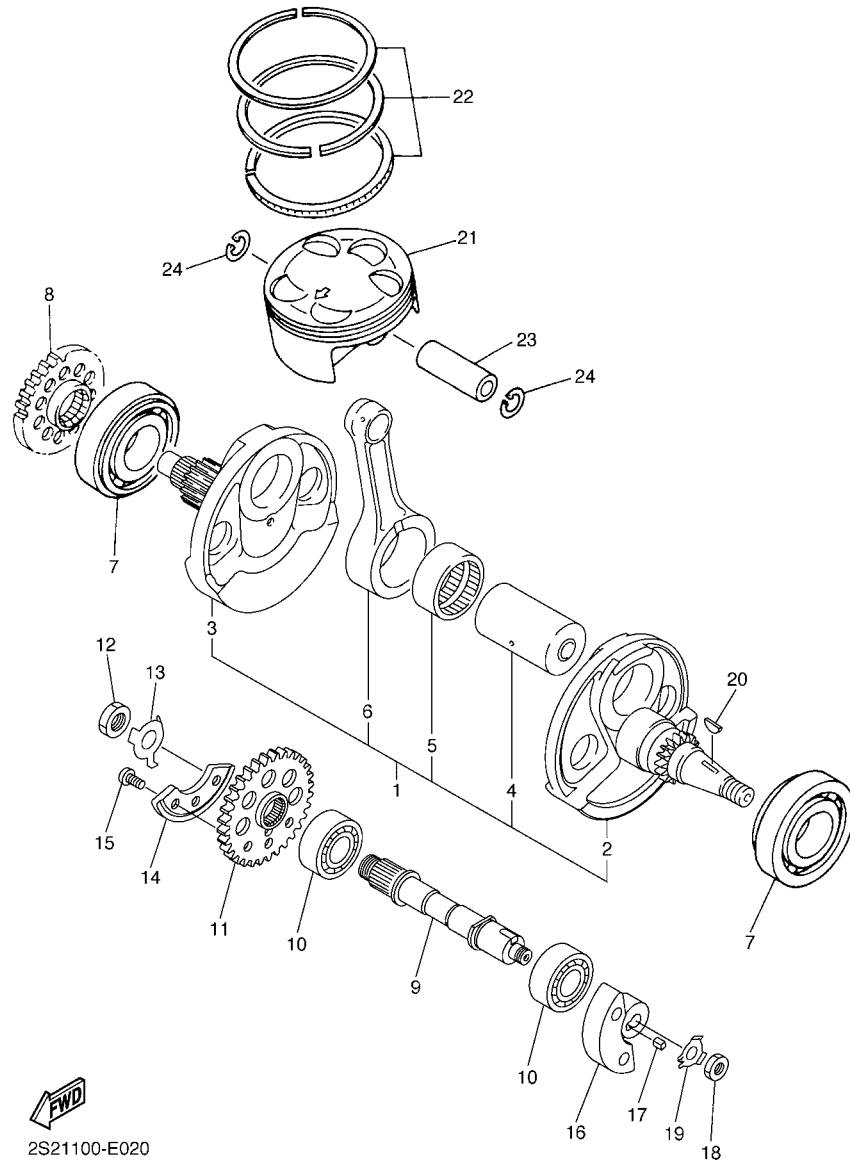


2S2B100-G010

**FIG. 1 CYLINDER**

REF. NO.	PART NO.	DESCRIPTION	2S2B	2S2C	2S2D	2S2E	REMARKS
25	93612-16254	PIN, DOWEL	2	2	2	2	
26	95022-06035	BOLT, FLANGE	1	1	1	1	
27	2S2-15441-00	HOLDER, CLUTCH CABLE	1	1	1	1	
28	95022-06016	BOLT, FLANGE	2	2	2	2	

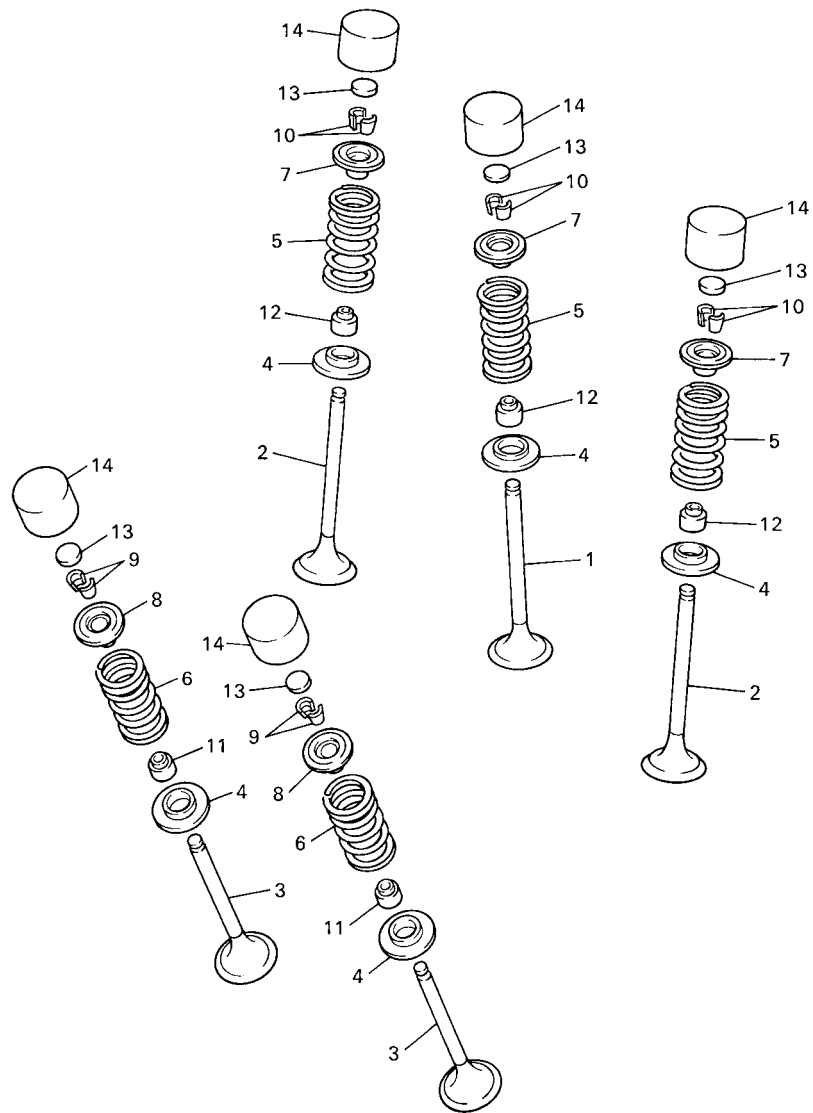




2S21100-E020

FIG. 2 CRANKSHAFT & PISTON

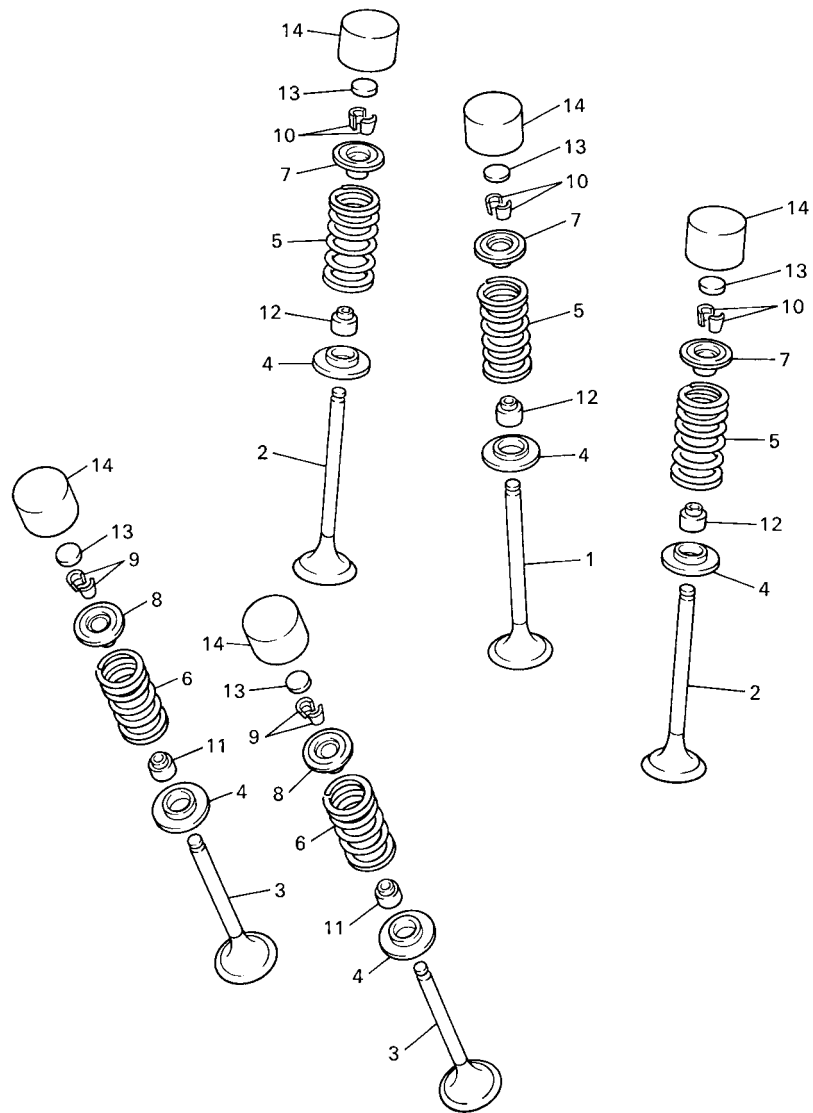
REF. NO.	PART NO.	DESCRIPTION	2S2B	2S2C	2S2D	2S2E	REMARKS
1	2S2-11400-00	CRANKSHAFT ASSY	1	1	1	1	
2	2S2-11412-00	.CRANK 1	1	1	1	1	
3	2S2-11422-00	.CRANK 2	1	1	1	1	
4	5TG-11681-00	.PIN, CRANK 1	1	1	1	1	
5	93310-63417	.BEARING	1	1	1	1	
6	2S2-11651-00	.ROD, CONNECTING	1	1	1	1	
7	93306-30633	BEARING	2	2	2	2	
8	2S2-11536-00	GEAR, DRIVE	1	1	1	1	
9	2S2-11455-00	SHAFT 1	1	1	1	1	
10	93304-20310	BEARING	2	2	2	2	
11	2S2-11531-00	GEAR, BALANCE WEIGHT	1	1	1	1	
12	90170-14171	NUT	1	1	1	1	
13	90215-14287	WASHER, LOCK	1	1	1	1	
14	2S2-11454-10	WEIGHT 1	1	1	1	1	
15	90149-06083	SCREW	3	3	3	3	
16	2S2-11464-10	WEIGHT 2	1	1	1	1	
17	90282-05034	KEY, STRAIGHT	1	1	1	1	
18	90170-10405	NUT	1	1	1	1	
19	90215-10009	WASHER, LOCK	1	1	1	1	
20	90280-03006	KEY, WOODRUFF	1	1	1	1	
21	2S2-11631-20	PISTON (STD)	1	1	1	1	
22	5JG-11603-00	PISTON RING SET (STD)	1	1	1	1	
23	5TA-11633-00	PIN, PISTON	1	1	1	1	
24	93420-18082	CIRCLIP	2	2	2	2	



5BE100-8030

FIG. 3 VALVE

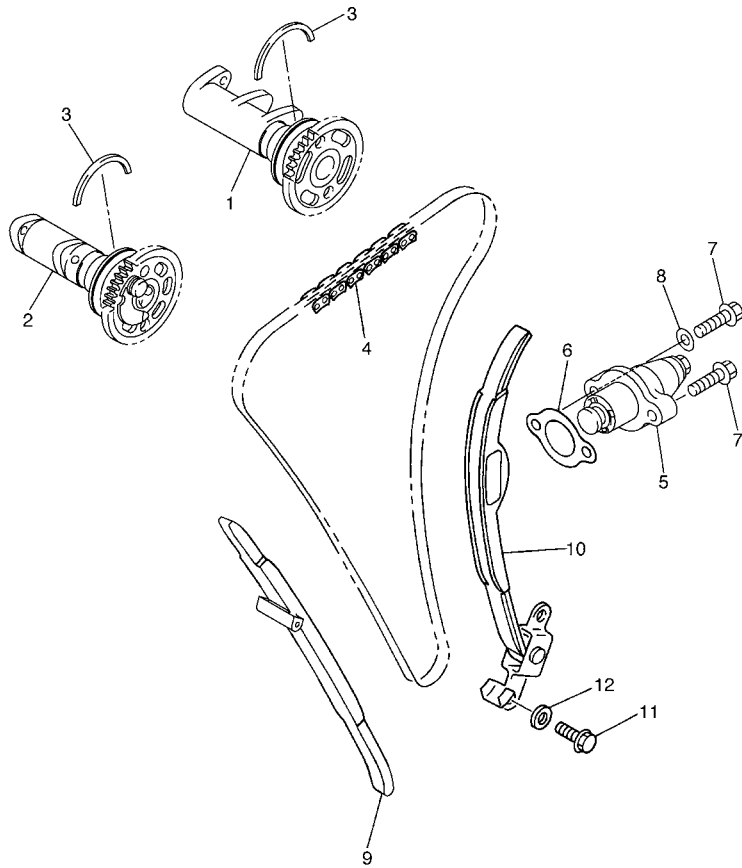
REF. NO.	PART NO.	DESCRIPTION	2S2B	2S2C	2S2D	2S2E	REMARKS
1	5TA-12111-00	VALVE, INTAKE	1	1	1	1	
2	5TA-12112-00	VALVE, INTAKE 2	2	2	2	2	
3	5TA-12121-00	VALVE, EXHAUST	2	2	2	2	
4	3GM-12126-00	SEAT, VALVE SPRING 2	5	5	5	5	
5	5TA-12113-00	SPRING, VALVE INNER	3	3	3	3	
6	5TA-12114-00	SPRING, VALVE OUTER	2	2	2	2	
7	5BE-12117-00	RETAINER, VALVE SPRING	3	3	3	3	
8	4GY-12117-00	RETAINER, VALVE SPRING	2	2	2	2	
9	1AA-12118-00	COTTER, VALVE	4	4	4	4	
10	1WG-12118-00	COTTER, VALVE	6	6	6	6	
11	33M-12119-00	SEAL, VALVE STEM	2	2	2	2	
12	4SV-12119-00	SEAL, VALVE STEM	3	3	3	3	
13	3LD-12168-00	PAD, ADJUSTING (1.20)	5	5	5	5	UR
	3LD-12168-20	PAD, ADJUSTING (1.25)	5	5	5	5	UR
	3LD-12168-40	PAD, ADJUSTING (1.30)	5	5	5	5	UR
	3LD-12168-60	PAD, ADJUSTING (1.35)	5	5	5	5	UR
	3LD-12168-80	PAD, ADJUSTING (1.40)	5	5	5	5	UR
	3LD-12168-A0	PAD, ADJUSTING (1.45)	5	5	5	5	UR
	3LD-12168-F0	PAD, ADJUSTING (1.50)	5	5	5	5	UR
	3LD-12168-H1	PAD, ADJUSTING (1.55)	5	5	5	5	UR
	3LD-12168-K1	PAD, ADJUSTING (1.60)	5	5	5	5	UR
	3LD-12168-M1	PAD, ADJUSTING (1.65)	5	5	5	5	UR
	3LD-12168-R1	PAD, ADJUSTING (1.70)	5	5	5	5	UR
	3LD-12168-U1	PAD, ADJUSTING (1.75)	5	5	5	5	UR
	3LD-12168-W1	PAD, ADJUSTING (1.80)	5	5	5	5	UR
	3LD-12168-Y1	PAD, ADJUSTING (1.85)	5	5	5	5	UR
	3LD-12169-11	PAD, ADJUSTING (1.90)	5	5	5	5	UR



**FWD**  
5BE100-8030

**FIG. 3 VALVE**

REF. NO.	PART NO.	DESCRIPTION	2S2B	2S2C	2S2D	2S2E	REMARKS
13	3LD-12169-31	PAD, ADJUSTING (1.95)	5	5	5	5	UR
	3LD-12169-50	PAD, ADJUSTING (2.00)	5	5	5	5	UR
	3LD-12169-70	PAD, ADJUSTING (2.05)	5	5	5	5	UR
	3LD-12169-90	PAD, ADJUSTING (2.10)	5	5	5	5	UR
	3LD-12169-E0	PAD, ADJUSTING (2.15)	5	5	5	5	UR
	3LD-12169-G0	PAD, ADJUSTING (2.20)	5	5	5	5	UR
	3LD-12169-J0	PAD, ADJUSTING (2.25)	5	5	5	5	UR
	3LD-12169-L0	PAD, ADJUSTING (2.30)	5	5	5	5	UR
	3LD-12169-N0	PAD, ADJUSTING (2.35)	5	5	5	5	UR
	3LD-12169-T0	PAD, ADJUSTING (2.40)	5	5	5	5	UR
14	3FV-12153-10	LIFTER, VALVE	5	5	5	5	YELLOW



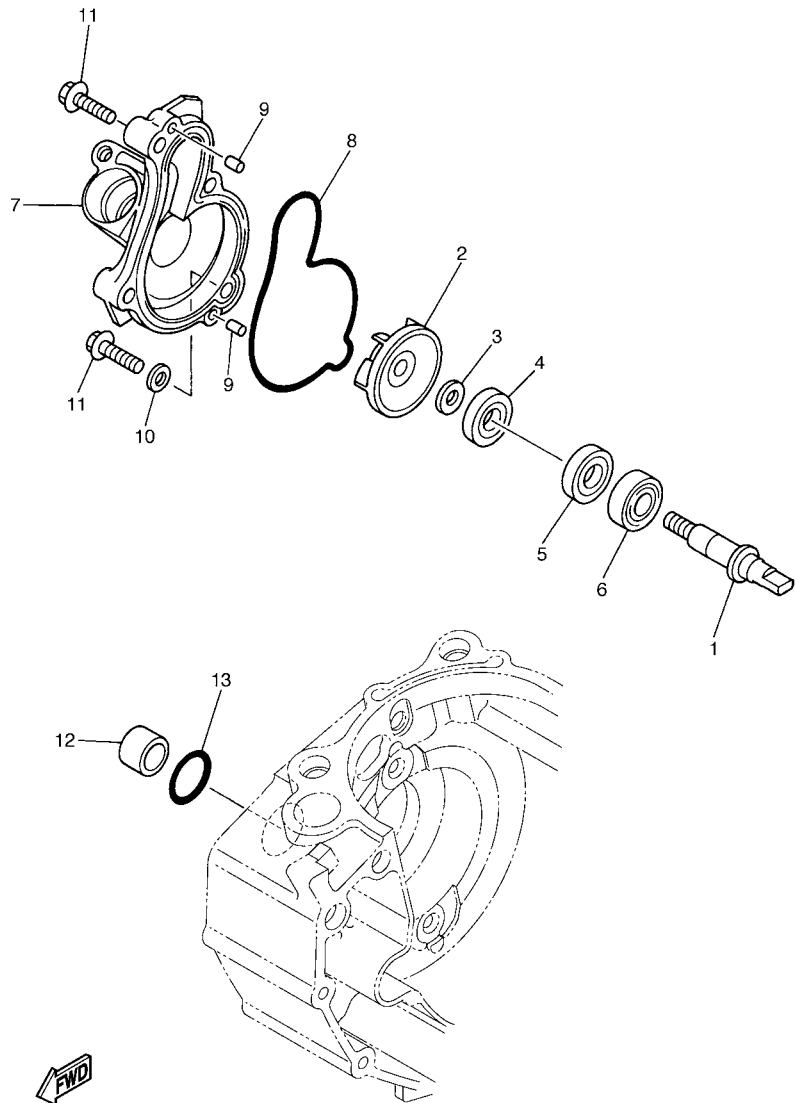
**FIG. 4 CAMSHAFT & CHAIN**

REF. NO.	PART NO.	DESCRIPTION	2S2B	2S2C	2S2D	2S2E	REMARKS
1	2S2-12170-00	CAMSHAFT ASSY 1	1	1	1	1	
2	2S2-12180-00	CAMSHAFT ASSY 2	1	1	1	1	
3	93440-41178	CIRCLIP	2	2	2	2	
4	94591-57118	CHAIN (98XRH2010-118M)	1	1	1	1	
5	5TA-12210-10	TENSIONER ASSY, CAM CHAIN	1	1	1	1	
6	4FM-12213-00	GASKET, TENSIONER CASE	1	1	1	1	
7	95022-06025	BOLT, FLANGE	2	2	2	2	
8	90430-06014	GASKET	1	1	1	1	
9	2S2-12251-00	DAMPER, CHAIN 1	1	1	1	1	
10	5TA-12252-00	DAMPER, CHAIN 2	1	1	1	1	
11	97022-06016	BOLT	2	2	2	2	
12	92902-06600	WASHER, PLATE	2	2	2	2	



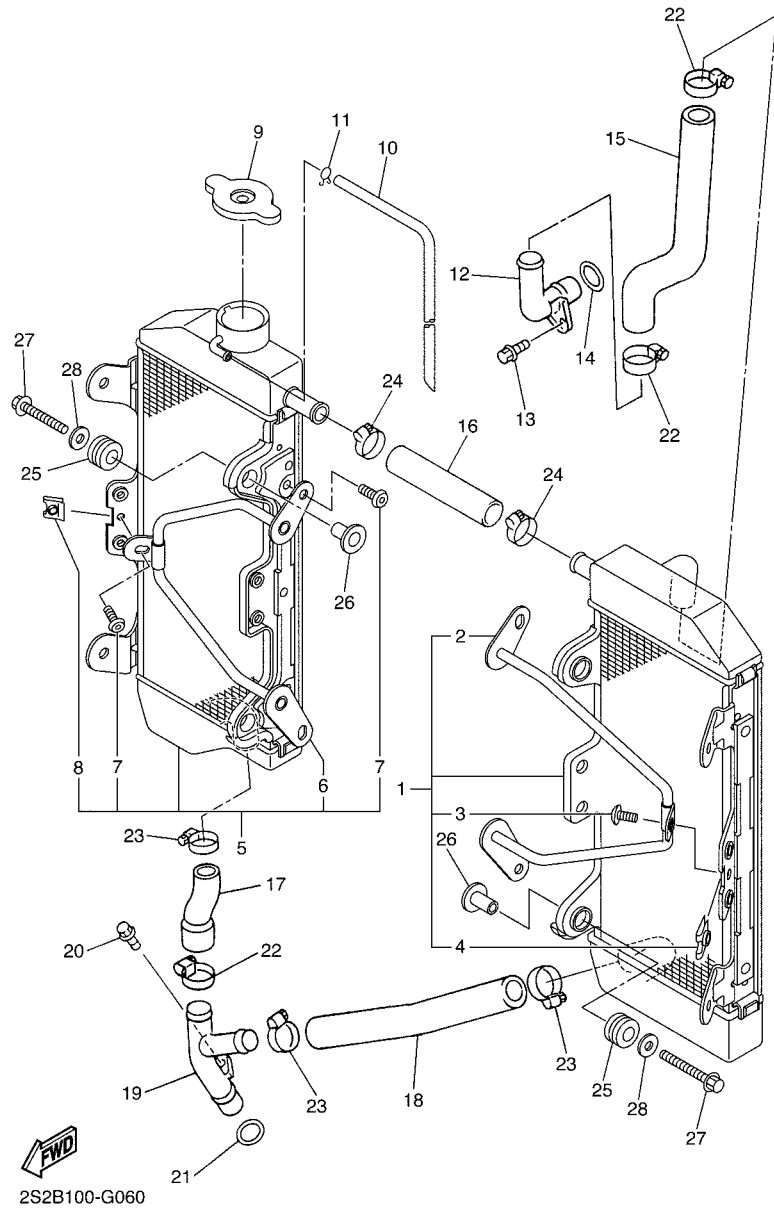
2S27100-F040

**FIG. 5 WATER PUMP**



2S21100-E050

REF. NO.	PART NO.	DESCRIPTION	2S2B	2S2C	2S2D	2S2E	REMARKS
1	5GR-12458-00	SHAFT, IMPELLER	1	1	1	1	
2	5DJ-12451-00	IMPELLER, WATER PUMP	1	1	1	1	
3	90201-08512	WASHER, PLATE	1	1	1	1	
4	93109-11073	OIL SEAL	1	1	1	1	
5	93102-12106	OIL SEAL (SD 12-22-5 HS)	1	1	1	1	
6	93306-00105	BEARING	1	1	1	1	
7	5BE-12422-20	COVER, HOUSING	1	1	1	1	
8	5BE-12439-00	O-RING	1	1	1	1	
9	93604-10011	PIN, DOWEL	2	2	2	2	
10	90430-06014	GASKET	1	1	1	1	
11	95022-06030	BOLT, FLANGE	4	4	4	4	
12	5BE-12564-00	PIPE, WATER	1	1	1	1	
13	93210-19758	O-RING	1	1	1	1	



**FIG. 6 RADIATOR & HOSE**

REF. NO.	PART NO.	DESCRIPTION	2S2B	2S2C	2S2D	2S2E	REMARKS
1	2S2-1240A-70	RADIATOR ASSY	1	1	1	1	
2	2S2-12464-70	.STAY, RADIATOR	1	1	1	1	
3	92012-06010	.BOLT, BUTTON HEAD	3	3	3	3	
4	90183-060A6	.NUT, SPRING	1	1	1	1	
5	2S2-12461-70	RADIATOR ASSY	1	1	1	1	
6	2S2-12464-70	.STAY, RADIATOR	1	1	1	1	
7	92012-06010	.BOLT, BUTTON HEAD	3	3	3	3	
8	90183-060A6	.NUT, SPRING	1	1	1	1	
9	22W-12462-00	CAP, RADIATOR	1	1	1	1	
10	91A20-05065	TUBE, FLEXIBLE VINYL	1	1	1	1	
11	90467-090A2	CLIP	1	1	1	1	
12	2S2-12481-00	PIPE 1	1	1	1	1	
13	91312-06012	BOLT	1	1	1	1	
14	93210-16500	O-RING	1	1	1	1	
15	2S2-12576-00	HOSE 1	1	1	1	1	
16	1C3-12482-00	PIPE 2	1	1	1	1	
17	2S2-12578-00	HOSE 3	1	1	1	1	
18	2S2-12579-00	HOSE 4	1	1	1	1	
19	2S2-12482-00	PIPE 2	1	1	1	1	
20	95022-06012	BOLT, FLANGE	1	1	1	1	
21	93210-16500	O-RING	1	1	1	1	
22	90450-28001	HOSE CLAMP ASSY	3	3	3	3	
23	90450-25001	HOSE CLAMP ASSY	3	3	3	3	
24	90450-22001	HOSE CLAMP ASSY	2	2	2	2	
25	90480-15528	GROMMET	4	4	4	4	
26	90387-06065	COLLAR	4	4	4	4	
27	90105-06111	BOLT, FLANGE	4	4	4	4	

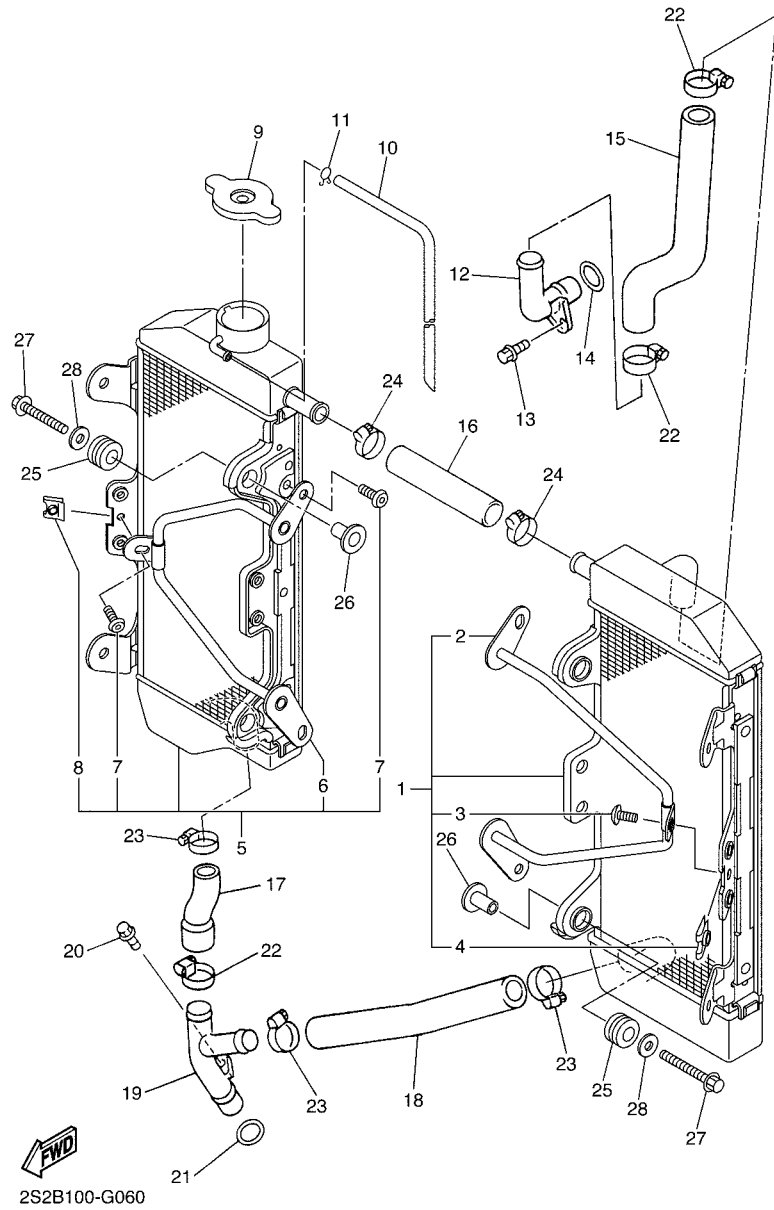
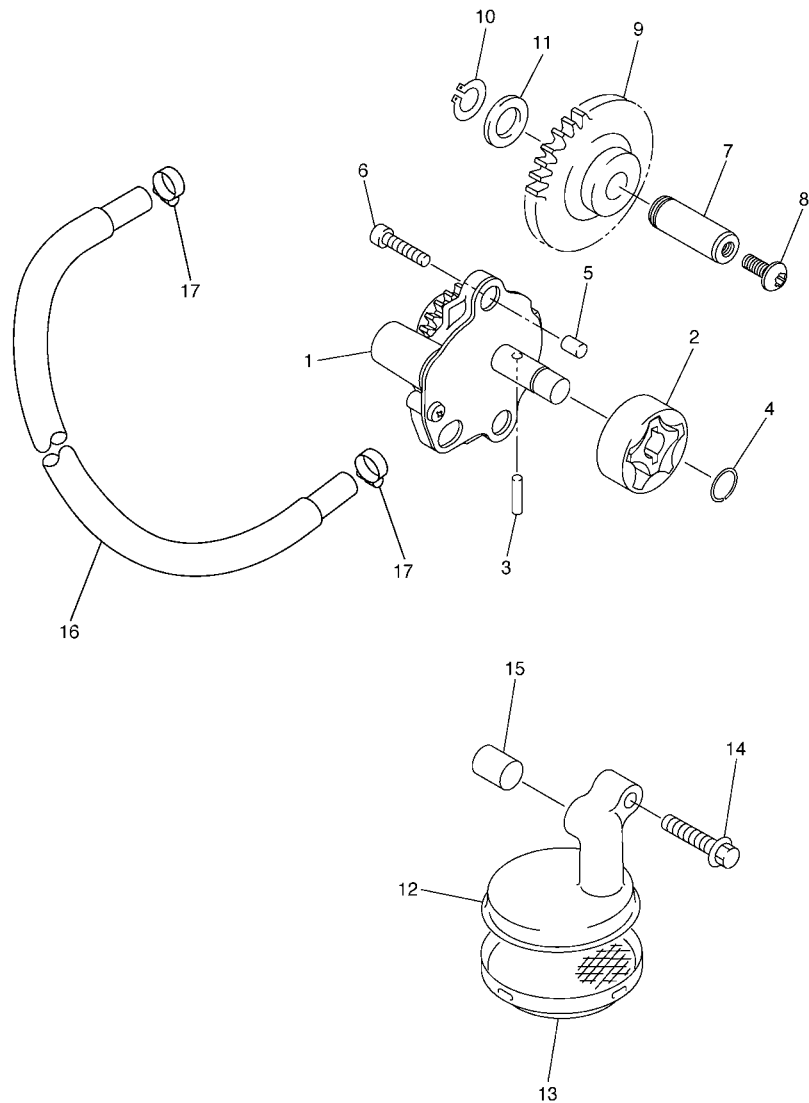


FIG. 6 RADIATOR & HOSE

REF. NO.	PART NO.	DESCRIPTION	2S2B	2S2C	2S2D	2S2E	REMARKS
28	90201-06571	WASHER, PLATE	4	4	4	4	

FIG. 7 OIL PUMP

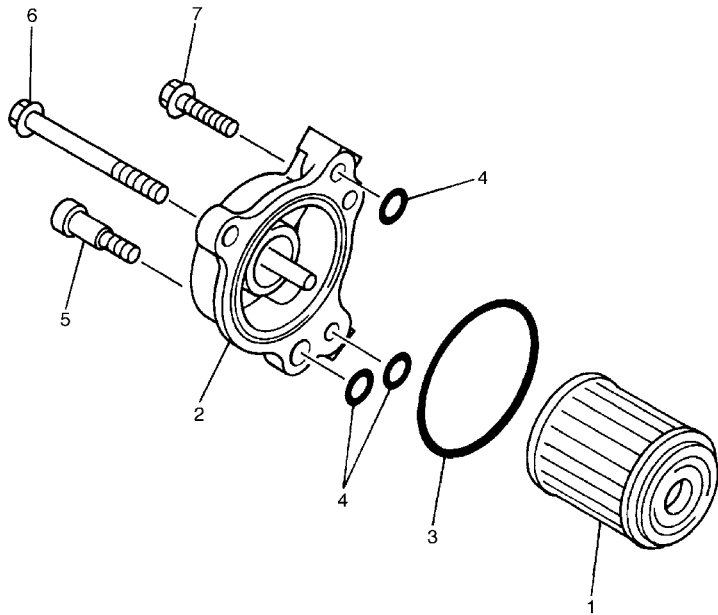


REF. NO.	PART NO.	DESCRIPTION	2S2B	2S2C	2S2D	2S2E	REMARKS
1	2S2-13300-10	OIL PUMP ASSY	1	1	1	1	
2	5TA-13320-00	ROTOR ASSY 2	1	1	1	1	
3	93603-16219	PIN, DOWEL	1	1	1	1	
4	93440-10153	CIRCLIP	1	1	1	1	
5	99530-08012	PIN, DOWEL	2	2	2	2	
6	91312-06030	BOLT	2	2	2	2	
7	2S2-13342-00	SHAFT, IDLE GEAR	1	1	1	1	
8	90149-06068	SCREW	1	1	1	1	
9	2S2-13341-00	GEAR, OIL PUMP IDLE	1	1	1	1	
10	99009-12400	CIRCLIP	1	1	1	1	
11	90201-12166	WASHER, PLATE	1	1	1	1	
12	2S2-13412-00	HOUSING, STRAINER	1	1	1	1	
13	5BE-13411-00	STRAINER, OIL	1	1	1	1	
14	95022-06030	BOLT, FLANGE	1	1	1	1	
15	99530-10114	PIN, DOWEL	1	1	1	1	
16	90445-14009	HOSE	1	1	1	1	
17	90450-17001	HOSE CLAMP ASSY	2	2	2	2	

  
2S21100-E070

**B11**



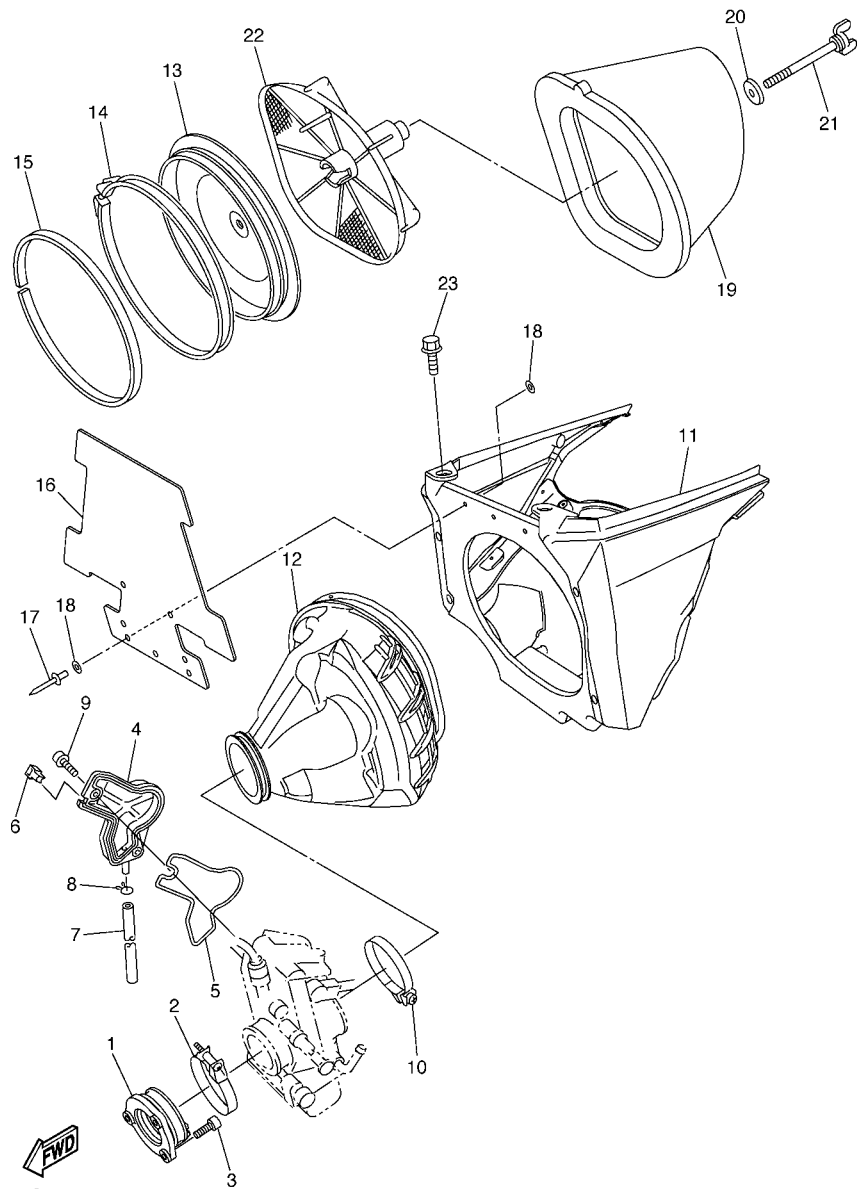


**FIG. 8 OIL CLEANER**

REF. NO.	PART NO.	DESCRIPTION					REMARKS
			2S2B	2S2C	2S2D	2S2E	
1	5TA-13440-00	ELEMENT ASSY, OIL CLEANER	1	1	1	1	
2	5BE-13447-20	COVER, OIL ELEMENT	1	1	1	1	
3	93210-47675	O-RING	1	1	1	1	
4	93210-07135	O-RING	3	3	3	3	
5	90110-06228	BOLT, HEXAGON SOCKET HEAD	1	1	1	1	
6	91312-06065	BOLT	1	1	1	1	
7	91312-06020	BOLT	1	1	1	1	



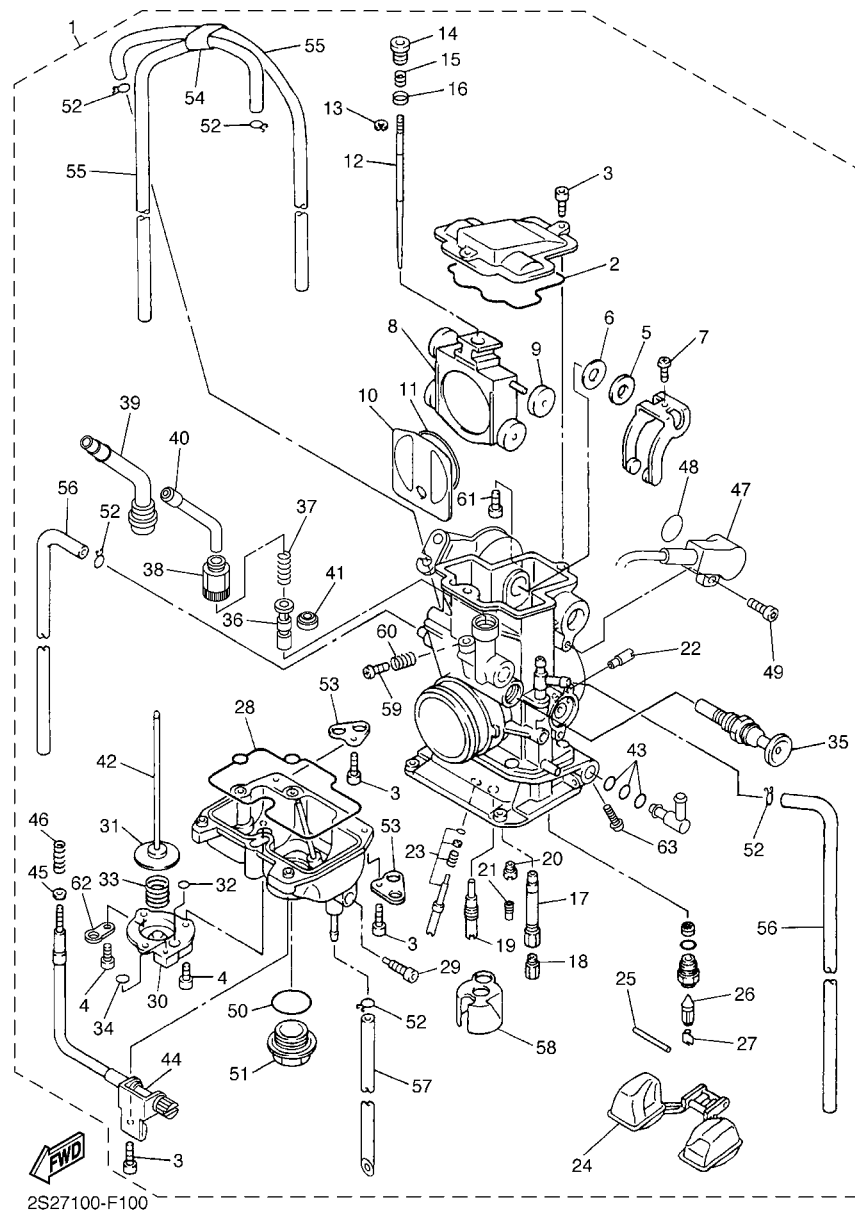
2S21100-E080



2S21100-E090

FIG. 9 INTAKE

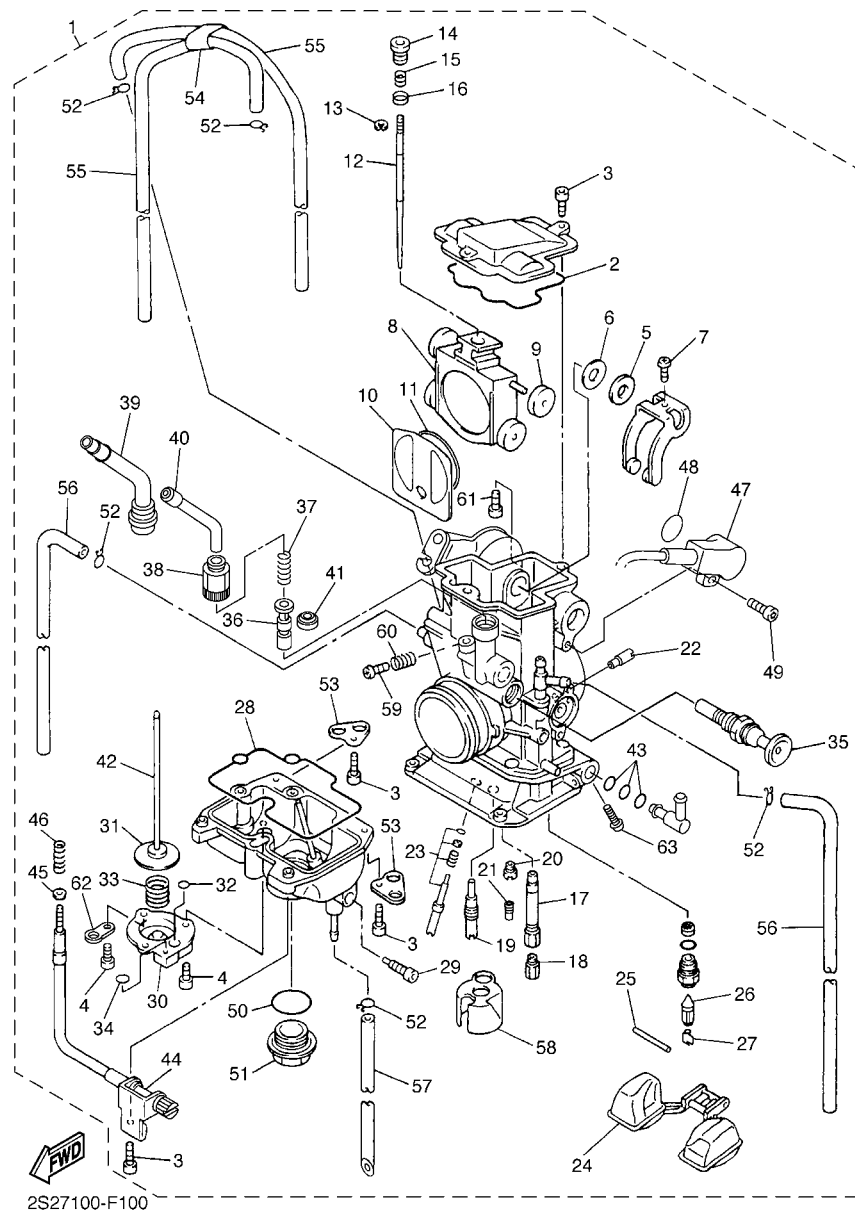
REF. NO.	PART NO.	DESCRIPTION	2S2B	2S2C	2S2D	2S2E	REMARKS
1	2S2-13597-00	JOINT, CARBURETOR 3	1	1	1	1	
2	90450-57010	HOSE CLAMP ASSY	1	1	1	1	
3	91312-06020	BOLT	3	3	3	3	
4	5TA-14293-00	COVER 1	1	1	1	1	
5	5TA-14227-00	GASKET	1	1	1	1	
6	5TA-14239-00	SEAL	1	1	1	1	
7	5TA-14987-00	HOSE	1	1	1	1	
8	3TJ-14137-40	CLIP	1	1	1	1	
9	90110-05038	BOLT, HEXAGON SOCKET HEAD	2	2	2	2	
10	90450-61002	HOSE CLAMP ASSY	1	1	1	1	
11	2S2-14401-70	AIR CLEANER CASE ASSY	1	1	1	1	
12	2S2-14453-10	JOINT, AIR CLEANER 1	1	1	1	1	
13	5NY-14459-00	HOLDER, GUIDE	1	1	1	1	
14	5NY-14455-20	BAND	1	1	1	1	
15	5NY-14442-00	SPACER	1	1	1	1	
16	5XC-14417-90	COVER 1	1	1	1	1	
17	90267-32070	RIVET, BLIND	3	3	3	3	
18	90201-03313	WASHER, PLATE	6	6	6	6	
19	4XM-14451-00	ELEMENT, AIR CLEANER	1	1	1	1	
20	90209-06014	WASHER	1	1	1	1	
21	90122-06005	BOLT, WING	1	1	1	1	
22	5BE-14458-00	GUIDE	1	1	1	1	
23	90109-06245	BOLT	2	2	2	2	



2S27100-F100

FIG. 10 CARBURETOR

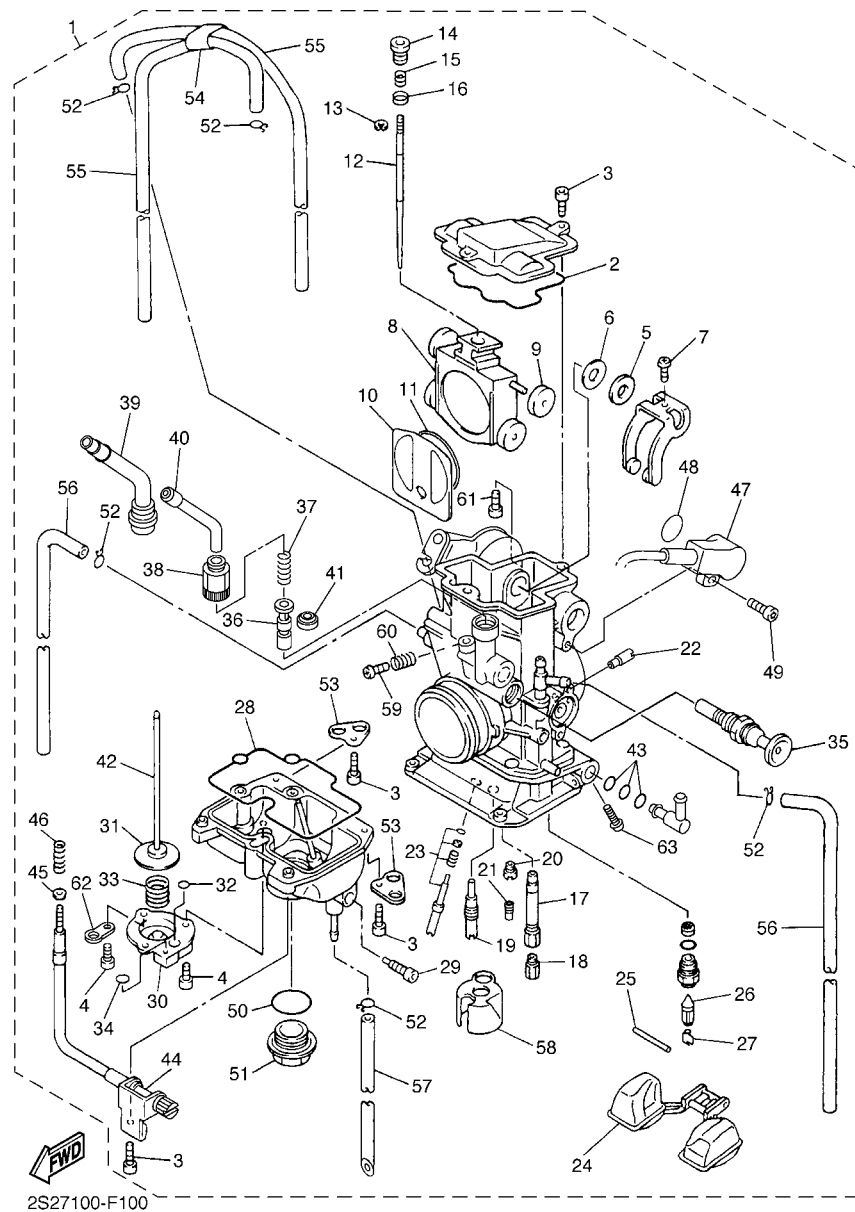
REF. NO.	PART NO.	DESCRIPTION	2S2B	2S2C	2S2D	2S2E	REMARKS
1	2S2-14101-B0	CARBURETOR ASSY 1	1	1	1	1	
2	5JG-14959-00	.GASKET	1	1	1	1	
3	91316-04012	.BOLT	6	6	6	6	
4	688-14592-00	.SCREW	3	3	3	3	
5	90202-08045	.WASHER, PLATE	1	1	1	1	
6	5JG-14951-00	.WASHER	1	1	1	1	
7	5JG-14522-00	.SCREW, ADJUST	1	1	1	1	
8	2S2-14388-00	.VALVE, VACUUM CONTROL	1	1	1	1	
9	3TJ-14267-40	.ROLLER	1	1	1	1	
10	5JG-14546-01	.VALVE, NEEDLE	1	1	1	1	
11	4FN-14997-00	.SEAL	1	1	1	1	
12	5TA-14916-LR	.NEEDLE (#NFLR)	1	1	1	1	STD
	5TA-14916-LN	.NEEDLE (#NFLN)	1	1	1	1	AP
	5TA-14916-LP	.NEEDLE (#NFLP)	1	1	1	1	AP
	5TA-14916-L1	.NEEDLE (#NFLQ)	1	1	1	1	AP
	5TA-14916-LS	.NEEDLE (#NFLS)	1	1	1	1	AP
	5TA-14916-LT	.NEEDLE (#NFLT)	1	1	1	1	AP
	5TA-14916-LU	.NEEDLE (#NFLU)	1	1	1	1	AP
	5TA-14916-PN	.NEEDLE (#NFPP)	1	1	1	1	AP
	5TA-14916-PP	.NEEDLE (#NFPP)	1	1	1	1	AP
	5TA-14916-P1	.NEEDLE (#NFPPQ)	1	1	1	1	AP
	5TA-14916-PR	.NEEDLE (#NFPR)	1	1	1	1	AP
	5TA-14916-PS	.NEEDLE (#NFPS)	1	1	1	1	AP
	5TA-14916-PT	.NEEDLE (#NFPT)	1	1	1	1	AP
	5TA-14916-PU	.NEEDLE (#NFPU)	1	1	1	1	AP
13	3TJ-14159-40	.CLIP	1	1	1	1	
14	5JG-14521-00	.SCREW, ADJUST	1	1	1	1	



2S27100-F100

FIG. 10 CARBURETOR

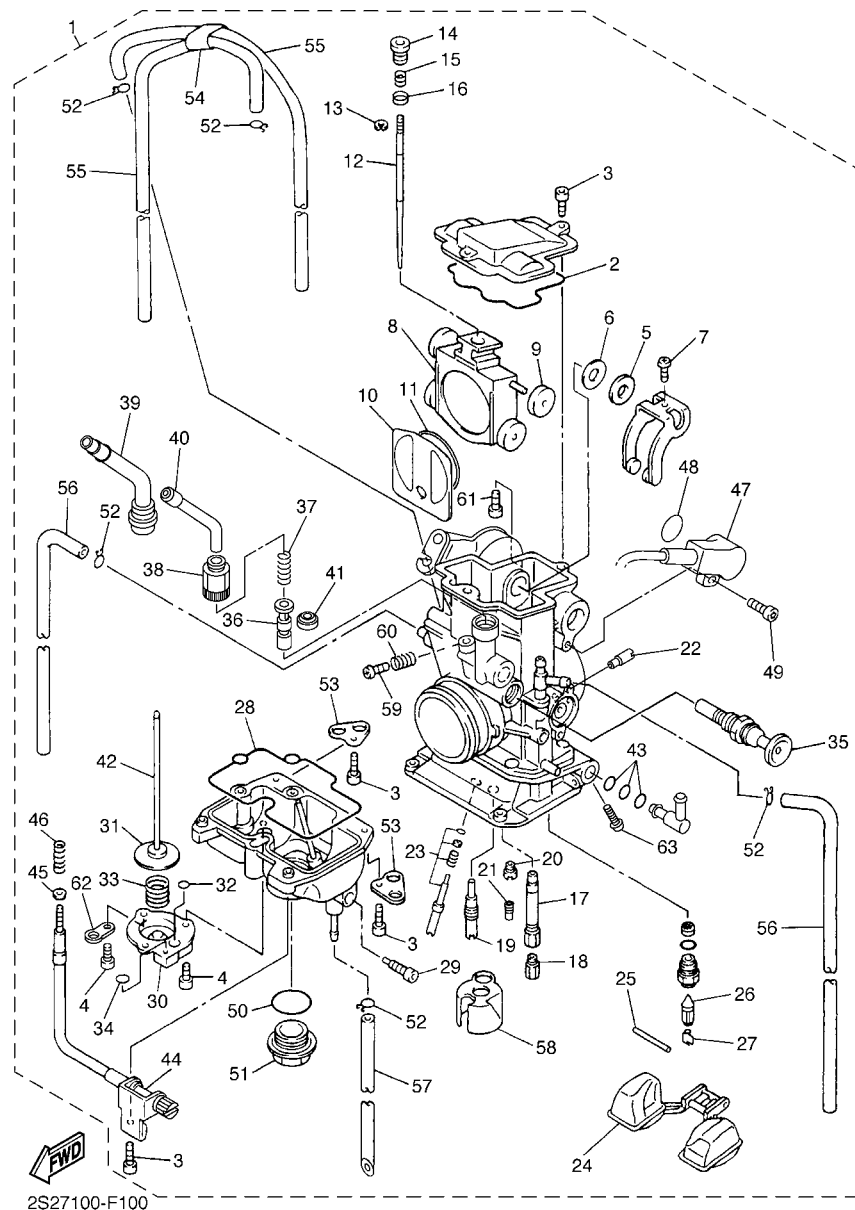
REF. NO.	PART NO.	DESCRIPTION	2S2B	2S2C	2S2D	2S2E	REMARKS
15	5JG-14275-00	.SPRING	1	1	1	1	
16	5JG-14264-00	.COLLAR	1	1	1	1	
17	5XD-14947-00	.NOZZLE, MAIN	1	1	1	1	
18	4MX-14943-39	.JET, MAIN (#160)	1	1	1	1	STD
	4MX-14943-87	.JET, MAIN (#148)	1	1	1	1	AP
	4MX-14943-37	.JET, MAIN (#150)	1	1	1	1	AP
	4MX-14943-88	.JET, MAIN (#152)	1	1	1	1	AP
	4MX-14943-38	.JET, MAIN (#155)	1	1	1	1	AP
	4MX-14943-89	.JET, MAIN (#158)	1	1	1	1	AP
	4MX-14943-90	.JET, MAIN (#162)	1	1	1	1	AP
	4MX-14943-40	.JET, MAIN (#165)	1	1	1	1	AP
	4MX-14943-91	.JET, MAIN (#168)	1	1	1	1	AP
	4MX-14943-41	.JET, MAIN (#170)	1	1	1	1	AP
	4MX-14943-92	.JET, MAIN (#172)	1	1	1	1	AP
19	4MX-14948-05	.JET, SLOW (#45)	1	1	1	1	STD
	4MX-14948-02	.JET, SLOW (#38)	1	1	1	1	AP
	4MX-14948-03	.JET, SLOW (#40)	1	1	1	1	AP
	4MX-14948-04	.JET, SLOW (#42)	1	1	1	1	AP
	4MX-14948-06	.JET, SLOW (#48)	1	1	1	1	AP
	4MX-14948-07	.JET, SLOW (#50)	1	1	1	1	AP
	4MX-14948-08	.JET, SLOW (#52)	1	1	1	1	AP
20	3TJ-1494F-16	.JET (#72)	1	1	1	1	STD
	3TJ-1494F-14	.JET (#68)	1	1	1	1	AP
	3TJ-1494F-15	.JET (#70)	1	1	1	1	AP
	3TJ-1494F-17	.JET (#75)	1	1	1	1	AP
	3TJ-1494F-18	.JET (#78)	1	1	1	1	AP
21	4JT-1494F-09	.JET (#55)	1	1	1	1	STD



2S27100-F100

FIG. 10 CARBURETOR

REF. NO.	PART NO.	DESCRIPTION	2S2B	2S2C	2S2D	2S2E	REMARKS
21	4JT-1494F-05	.JET (#45)	1	1	1	1	AP
	4JT-1494F-07	.JET (#50)	1	1	1	1	AP
	4JT-1494F-11	.JET (#60)	1	1	1	1	AP
	4JT-1494F-13	.JET (#65)	1	1	1	1	AP
22	5TA-14943-27	.JET, MAIN (#100)	1	1	1	1	
23	5NL-14105-00	.PILOT SCREW SET	1	1	1	1	
24	4SR-14985-00	.FLOAT	1	1	1	1	
25	676-14548-00	.PIN, FLOAT ARM	1	1	1	1	
26	4MX-14392-00	.VALVE, NEEDLE	1	1	1	1	
27	633-14159-00	.CLIP	1	1	1	1	
28	5JG-14984-00	.GASKET, FLOAT CHAMBER	1	1	1	1	
29	3TJ-14191-40	.PLUG, DRAIN	1	1	1	1	
30	3TJ-14293-40	.COVER 1	1	1	1	1	
31	5JG-14940-17	.DIAPHRAGM ASSY	1	1	1	1	STD
	5JG-14940-16	.DIAPHRAGM ASSY	1	1	1	1	AP
	5JG-14940-18	.DIAPHRAGM ASSY	1	1	1	1	AP
32	3TJ-14536-40	.GASKET	1	1	1	1	
33	3TJ-14933-40	.SPRING, DIAPHRAGM	1	1	1	1	
34	6H4-14561-00	.O-RING	1	1	1	1	
35	5XC-14171-00	.PLUNGER, STARTER	1	1	1	1	
36	5TA-14371-00	.PLUNGER, STARTER	1	1	1	1	
37	5TA-14335-00	.SPRING, PLUNGER	1	1	1	1	
38	5TA-14991-00	.SCREW	1	1	1	1	
39	2S2-14374-00	.CAP, PLUNGER	1	1	1	1	
40	5TA-14155-00	.GUIDE, CABLE	1	1	1	1	
41	5TA-14997-00	.SEAL	1	1	1	1	
42	5JG-14379-00	.ROD, STARTER	1	1	1	1	

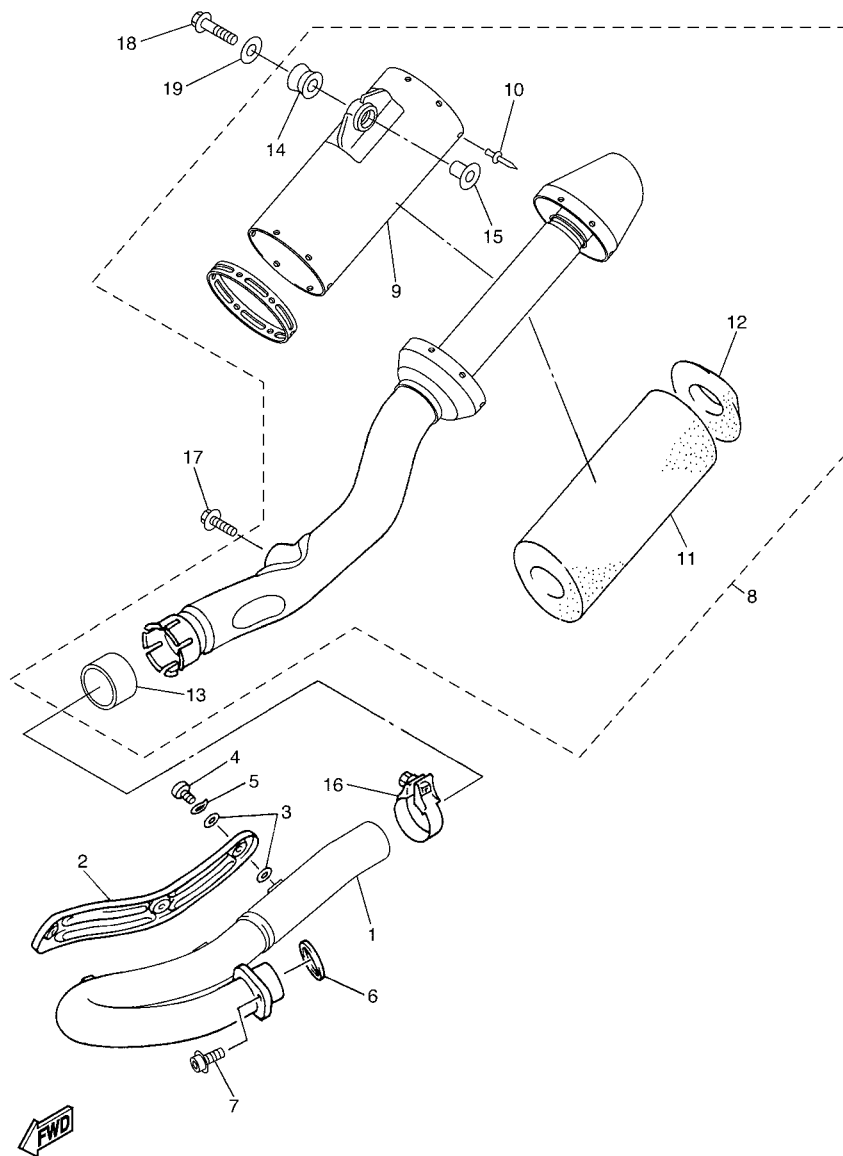


2S27100-F100

FIG. 10 CARBURETOR

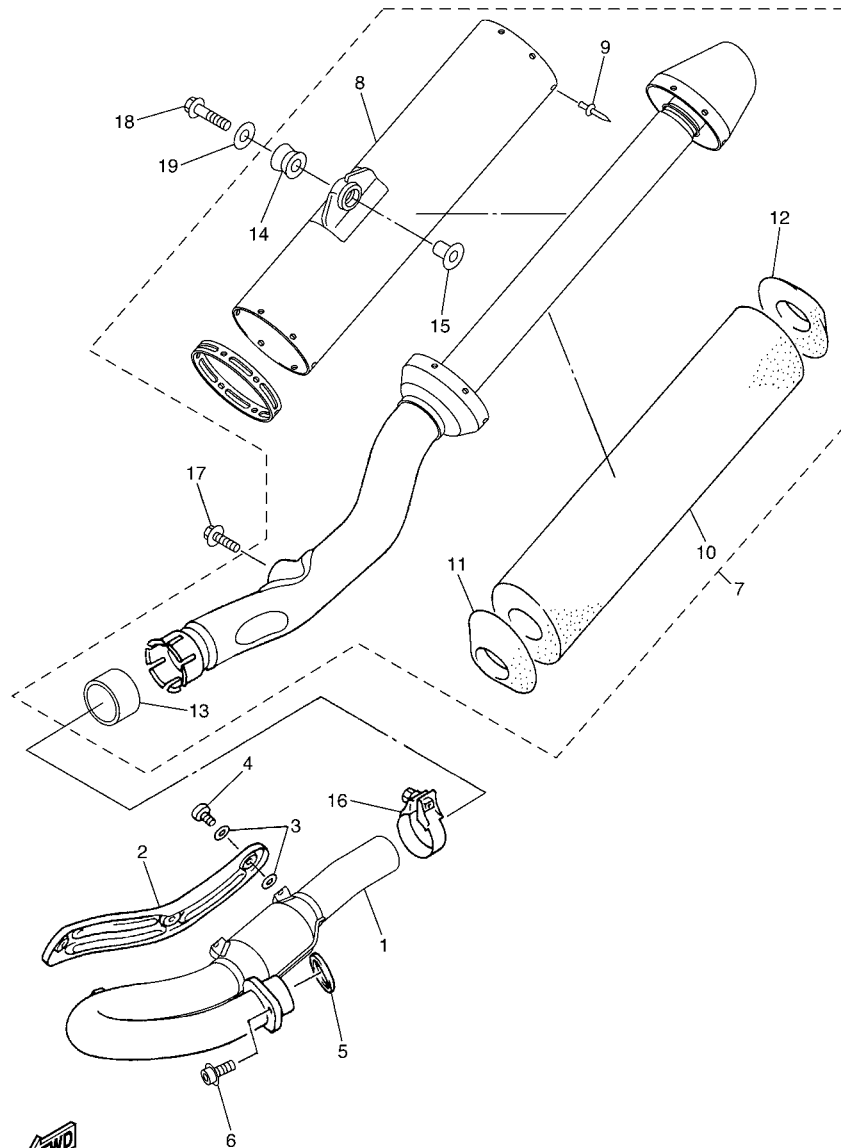
REF. NO.	PART NO.	DESCRIPTION	2S2B	2S2C	2S2D	2S2E	REMARKS
43	3TJ-14564-40	.O-RING	3	3	3	3	
44	5XC-14922-00	.SCREW, THROTTLE	1	1	1	1	
45	90201-08410	.WASHER, PLATE	1	1	1	1	
46	5TA-14934-00	.SPRING, THROTTLE STOP	1	1	1	1	
47	5XC-85885-00	.THROTTLE SENSOR ASSY	1	1	1	1	
48	5NX-14562-00	.O-RING	1	1	1	1	
49	5NX-14216-00	.SCREW	1	1	1	1	
50	4MX-14561-00	.O-RING	1	1	1	1	
51	4MX-14115-00	.PLUG, SCREW	1	1	1	1	
52	3TJ-14137-40	.CLIP	5	5	5	5	
53	5BE-14146-00	.PLATE	2	2	2	2	
54	5TA-14261-00	.HOLDER	1	1	1	1	
55	5UL-14196-00	.PIPE	2	2	2	2	
56	5TA-14197-00	.PIPE	2	2	2	2	
57	5TJ-14987-00	.HOSE	1	1	1	1	
58	5JG-14346-00	.PLATE	1	1	1	1	
59	5JG-14565-00	.SCREW	1	1	1	1	
60	5JG-14531-00	.SPRING, ADJUST SCREW	1	1	1	1	
61	5JG-14591-00	.SCREW	1	1	1	1	
62	5PA-14146-00	.PLATE	1	1	1	1	
63	5XD-14325-00	.SCREW, PAN HEAD	1	1	1	1	

FIG. 11 EXHAUST



2S2B100-G110

REF. NO.	PART NO.	DESCRIPTION	2S2B	2S2C	2S2D	2S2E	REMARKS
1	2S2-14611-30	PIPE, EXHAUST 1	1			1	
2	5TA-14628-00	PROTECTOR, EXHAUST PIPE	1			1	
3	4BD-14766-00	WASHER, PROTECTOR	6			6	
4	98980-06008	SCREW, BIND	3			3	
5	90206-06090	WASHER, WAVE	3			3	
6	3VD-14613-01	GASKET, EXHAUST PIPE	1			1	
7	90110-08097	BOLT, HEXAGON SOCKET HEAD	1			1	
8	2S2-14750-B0	SILENCER ASSY	1			1	
9	2S2-1466G-B0	.BODY, SILENCER	1			1	
10	90267-48084	.RIVET, BLIND	16			16	
11	2S2-1478H-B0	.FIBER, 11	1			1	
12	2S2-1469F-B0	.FIBER	1			1	
13	5VY-14714-00	.GASKET, MUFFLER	1			1	
14	5BE-14747-00	.DAMPER, MUFFLER	1			1	
15	90387-08081	.COLLAR	1			1	
16	2S2-14788-00	BAND, SILENCER	1			1	
17	90105-08307	BOLT, FLANGE	1			1	
18	90105-08137	BOLT, FLANGE	1			1	
19	90201-08061	WASHER, PLATE	1			1	

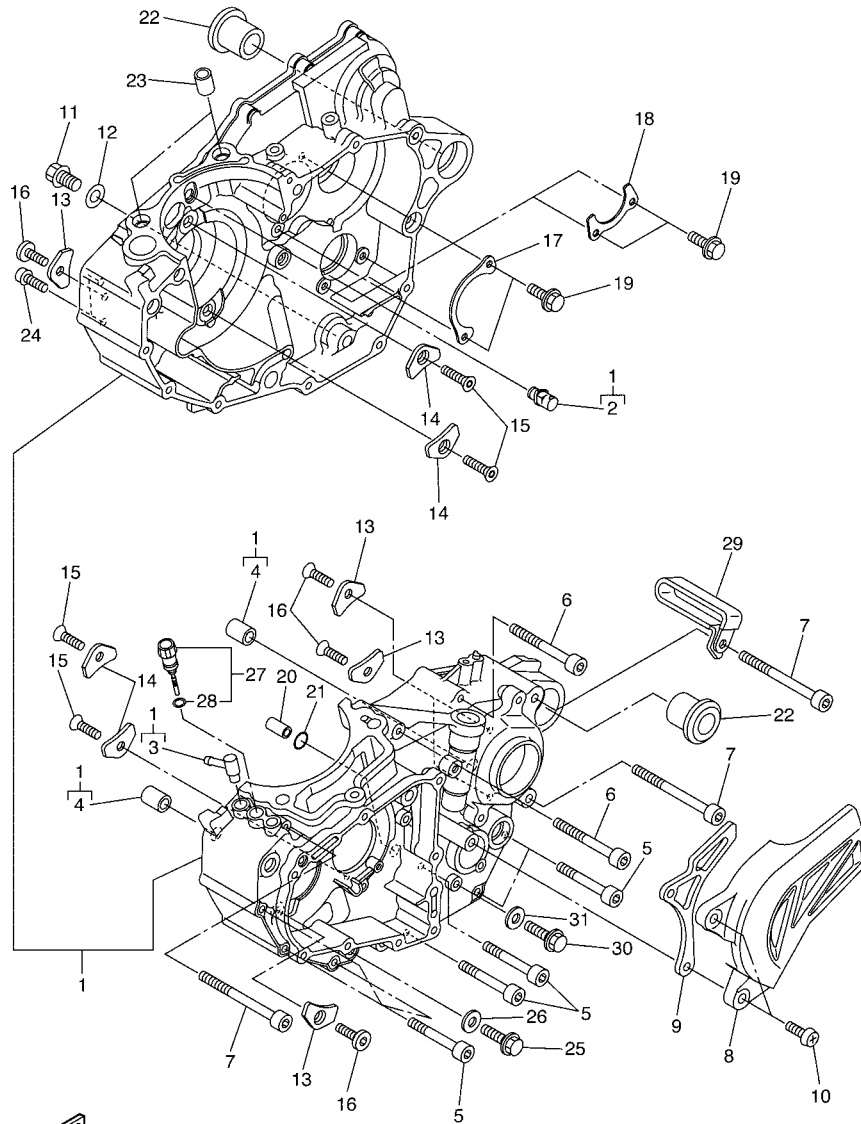


2S2B100-G120

FIG. 12 EXHAUST 2

REF. NO.	PART NO.	DESCRIPTION	2S2B	2S2C	2S2D	2S2E	REMARKS
1	2S2-14611-10	PIPE, EXHAUST 1		1	1		
2	2S2-14628-00	PROTECTOR, EXHAUST PIPE		1	1		
3	90201-05017	WASHER, PLATE		6	6		
4	98980-06008	SCREW, BIND		3	3		
5	3VD-14613-01	GASKET, EXHAUST PIPE		1	1		
6	90110-08097	BOLT, HEXAGON SOCKET HEAD		1	1		
7	2S2-14750-C0	SILENCER ASSY		1	1		
8	2S2-1466G-C0	.BODY, SILENCER		1	1		
9	90267-48084	.RIVET, BLIND		16	16		
10	2S2-1469A-10	.FIBER		1	1		
11	2S2-1469E-00	.FIBER		1	1		
12	2S2-1469F-00	.FIBER		1	1		
13	2S2-14714-00	.GASKET, MUFFLER		1	1		
14	5BE-14747-00	.DAMPER, MUFFLER		1	1		
15	90387-08081	.COLLAR		1	1		
16	2S2-14788-00	BAND, SILENCER		1	1		
17	90105-08307	BOLT, FLANGE		1	1		
18	90105-08137	BOLT, FLANGE		1	1		
19	90201-08061	WASHER, PLATE		1	1		

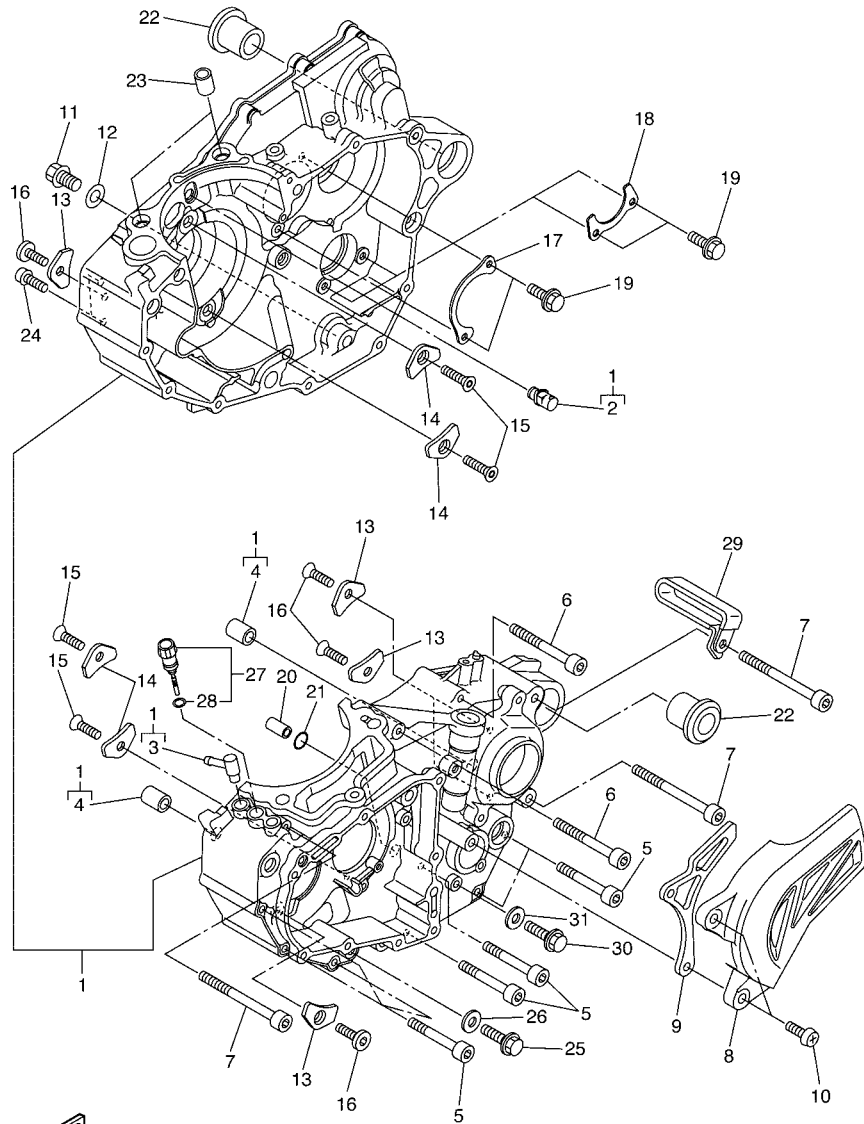




2S2B100-G130

FIG. 13 CRANKCASE

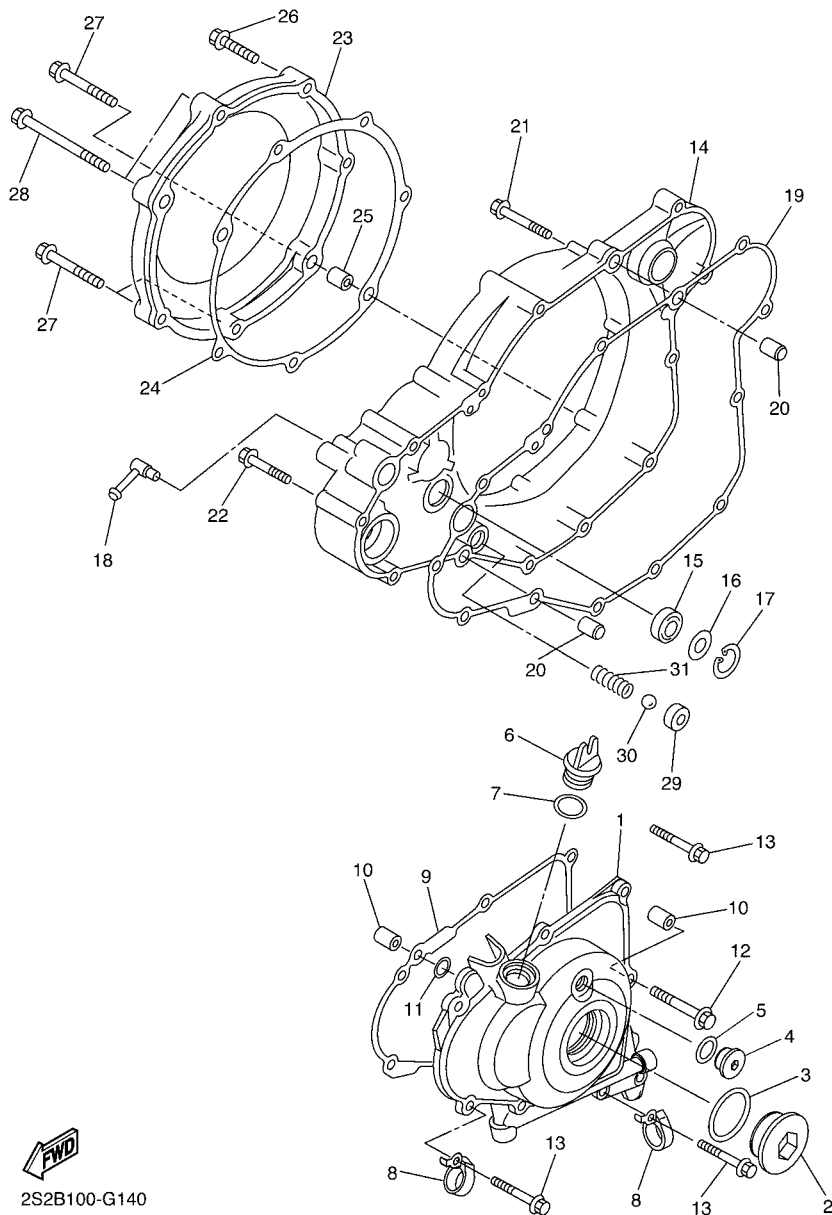
REF. NO.	PART NO.	DESCRIPTION	2S2B	2S2C	2S2D	2S2E	REMARKS
1	2S2-15100-20	CRANKCASE ASSY	1	1	1	1	
2	2S2-15155-10	.NOZZLE 3	1	1	1	1	
3	5XC-15373-00	.PIPE, BREATHER	1	1	1	1	
4	99530-14016	.PIN, DOWEL	2	2	2	2	
5	91312-06050	BOLT	7	7	7	7	
6	91312-06060	BOLT	2	2	2	2	
7	91312-06080	BOLT	3	3	3	3	
8	2S2-15421-10	COVER, CRANKCASE 2	1	1	1	1	
9	2S2-17466-00	GUIDE, CHAIN	1	1	1	1	
10	98502-06025	SCREW, PAN HEAD	2	2	2	2	
11	95022-10016	BOLT, FLANGE	1	1	1	1	
12	90430-10188	GASKET	1	1	1	1	
13	4JT-15381-01	PLATE, BEARING COVER	4	4	4	4	
14	5BE-15383-01	PLATE, BEARING COVER	4	4	4	4	
15	90151-06071	SCREW, COUNTERSUNK	4	4	4	4	
16	90149-06074	SCREW	4	4	4	4	
17	2S2-15388-00	PLATE, BEARING COVER	1	1	1	1	
18	2S2-18562-00	PLATE, STOPPER 2	1	1	1	1	
19	90105-06081	BOLT, FLANGE	4	4	4	4	
20	99530-10114	PIN, DOWEL	1	1	1	1	
21	93210-10197	O-RING	1	1	1	1	
22	90387-18007	COLLAR	2	2	2	2	
23	99530-14016	PIN, DOWEL	2	2	2	2	
24	91312-06030	BOLT	2	2	2	2	
25	95822-08016	BOLT, FLANGE	1	1	1	1	
26	90430-08119	GASKET	1	1	1	1	
27	2S2-1536A-00	PLUG, OIL LEVEL	1	1	1	1	



2S2B100-G130

FIG. 13 CRANKCASE

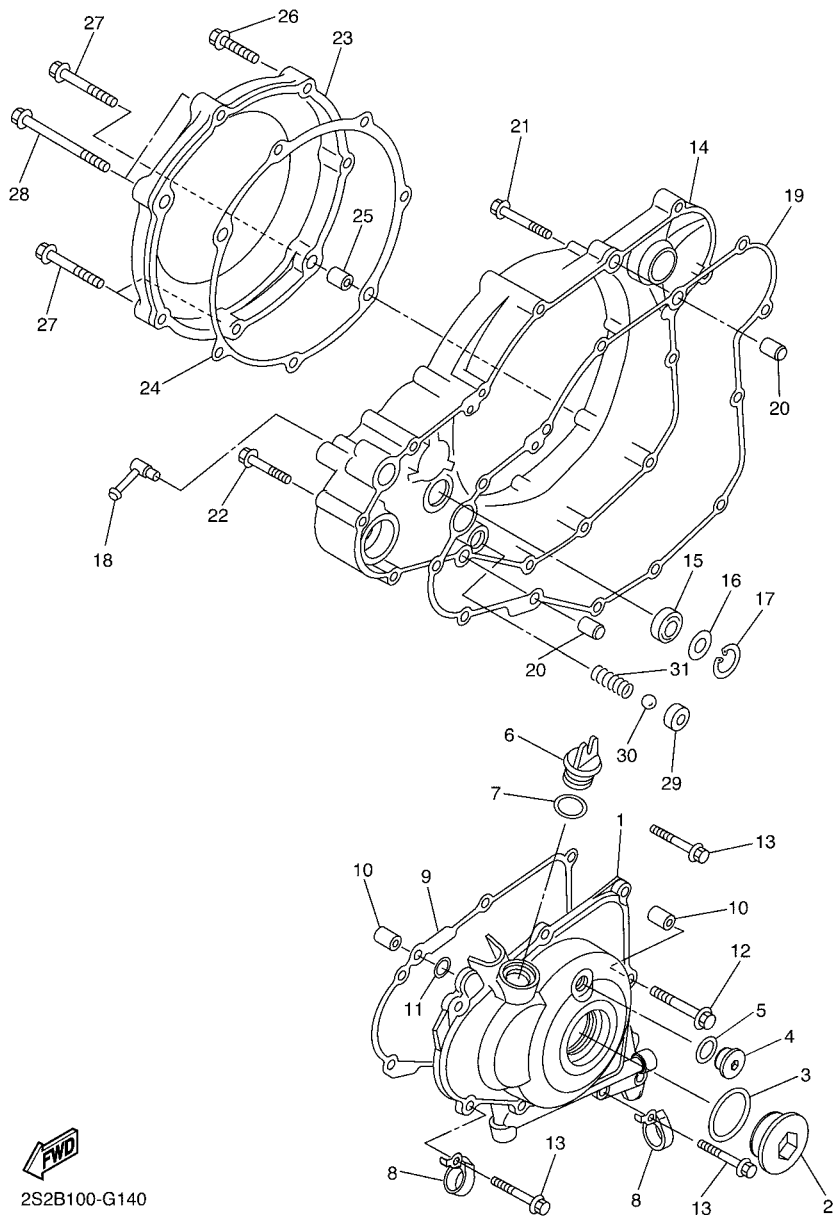
REF. NO.	PART NO.	DESCRIPTION	2S2B	2S2C	2S2D	2S2E	REMARKS
28	93210-09165	.O-RING	1	1	1	1	
29	90461-10136	CLAMP	1	1	1	1	
30	95022-06012	BOLT, FLANGE	1	1	1	1	
31	90430-06014	GASKET	1	1	1	1	
-----							
-----							
-----							
-----							
-----							
-----							
-----							
-----							
-----							
-----							



2S2B100-G140

FIG. 14 CRANKCASE COVER 1

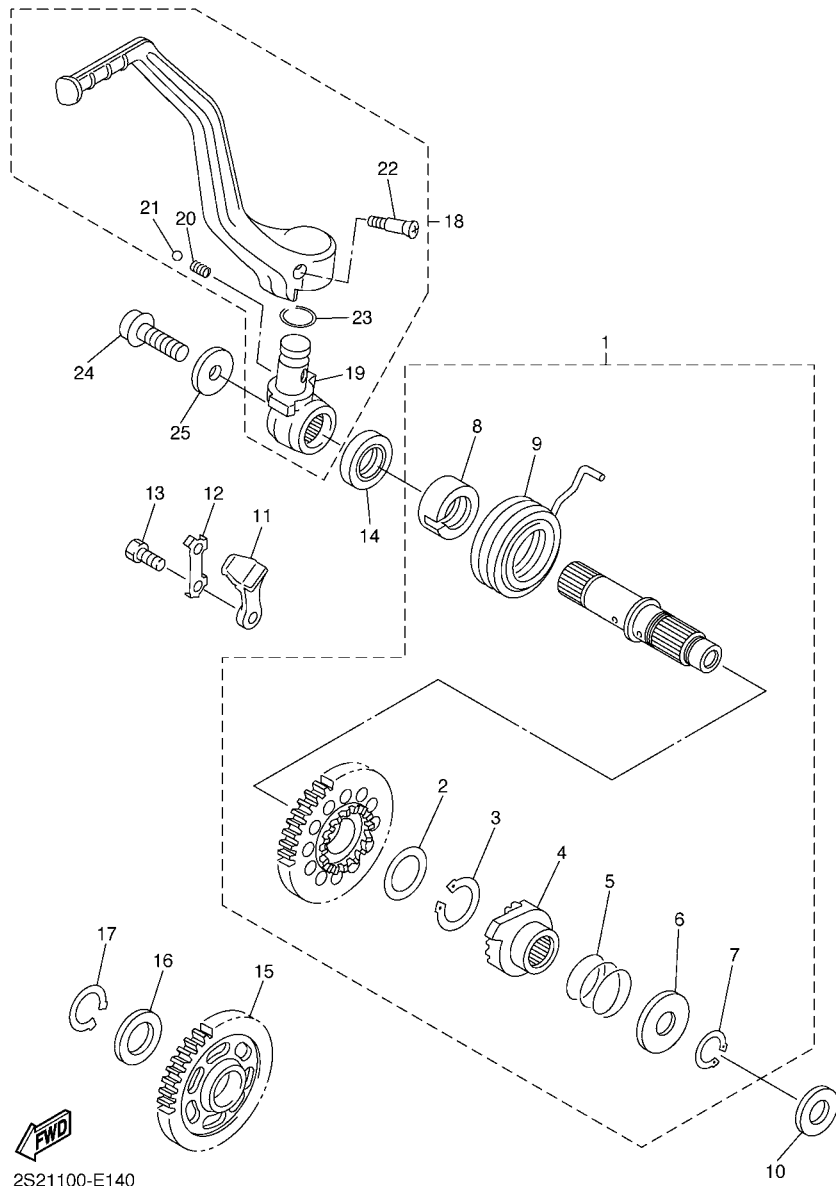
REF. NO.	PART NO.	DESCRIPTION	2S2B	2S2C	2S2D	2S2E	REMARKS
1	2S2-15411-11	COVER, CRANKCASE 1	1	1	1	1	
2	90340-27003	PLUG, STRAIGHT SCREW	1	1	1	1	
3	93210-27370	O-RING	1	1	1	1	
4	90340-14003	PLUG, STRAIGHT SCREW	1	1	1	1	
5	93210-14369	O-RING	1	1	1	1	
6	3Y1-15363-00	PLUG, OIL	1	1	1	1	
7	93210-19123	O-RING	1	1	1	1	
8	2S2-15378-00	HOLDER	2	2	2	2	
9	2S2-15451-00	GASKET, CRANKCASE COVER 1	1	1	1	1	
10	99530-08016	PIN, DOWEL	2	2	2	2	
11	93210-08003	O-RING	1	1	1	1	
12	95022-06040	BOLT, FLANGE	1	1	1	1	
13	95022-06030	BOLT, FLANGE	7	7	7	7	
14	2S2-15431-00	COVER, CRANKCASE 3	1	1	1	1	
15	93101-14164	OIL SEAL	1	1	1	1	
16	90201-15701	WASHER, PLATE (T=1.0)	1	1	1	1	
17	99009-22500	CIRCLIP	1	1	1	1	
18	5XC-15373-00	PIPE, BREATHER	1	1	1	1	
19	2S2-15462-10	GASKET, CRANKCASE COVER 3	1	1	1	1	
20	91812-16001	PIN, DOWEL	2	2	2	2	
21	95022-06040	BOLT, FLANGE	2	2	2	2	
22	95022-06030	BOLT, FLANGE	6	6	6	6	
23	5TA-15415-20	COVER, GENERATOR	1	1	1	1	
24	5TA-15453-00	GASKET	1	1	1	1	
25	99530-08016	PIN, DOWEL	2	2	2	2	
26	95022-06030	BOLT, FLANGE	2	2	2	2	
27	95022-06040	BOLT, FLANGE	3	3	3	3	



2S2B100-G140

FIG. 14 CRANKCASE COVER 1

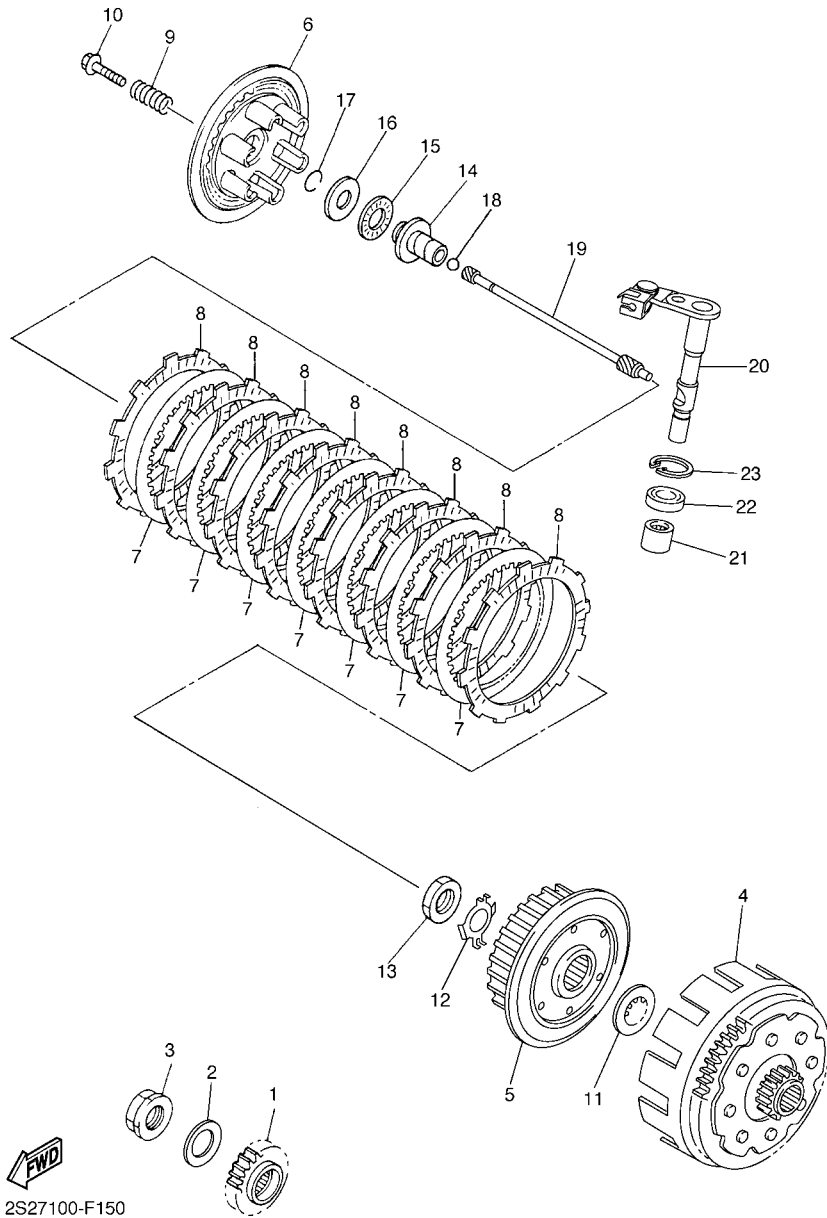
REF. NO.	PART NO.	DESCRIPTION	2S2B	2S2C	2S2D	2S2E	REMARKS
28	95022-06080	BOLT, FLANGE	2	2	2	2	
29	583-13113-00	SEAT, CHECK BALL	1	1	1	1	
30	93503-08007	BALL	1	1	1	1	
31	90501-043E0	SPRING, COMPRESSION	1	1	1	1	
-----							
-----							
-----							
-----							
-----							
-----							
-----							
-----							



2S21100-E140

FIG. 15 STARTER

REF. NO.	PART NO.	DESCRIPTION					REMARKS
			2S2B	2S2C	2S2D	2S2E	
1	2S2-15601-00	KICK SHAFT ASSY	1	1	1	1	
2	90201-20685	.WASHER, PLATE (T=0.5)	1	1	1	1	
3	93410-20038	.CIRCLIP	1	1	1	1	
4	2S2-15671-00	.WHEEL, RATCHET	1	1	1	1	
5	90501-160A2	.SPRING, COMPRESSION	1	1	1	1	
6	90201-167P7	.WASHER, PLATE	1	1	1	1	
7	99009-16400	.CIRCLIP	1	1	1	1	
8	5GR-15664-00	.GUIDE, SPRING	1	1	1	1	
9	90508-305B0	.SPRING, TORSION	1	1	1	1	
10	90201-162H4	WASHER, PLATE	1	1	1	1	
11	5SG-15668-00	STOPPER	1	1	1	1	
12	214-15686-00	WASHER, LOCK	1	1	1	1	
13	90101-06044	BOLT	2	2	2	2	
14	93102-20108	OIL SEAL	1	1	1	1	
15	5TA-15651-00	GEAR, KICK IDLE	1	1	1	1	
16	90201-20685	WASHER, PLATE (T=0.5)	1	1	1	1	
17	99009-20400	CIRCLIP	1	1	1	1	
18	2S2-15620-01	KICK CRANK ASSY	1	1	1	1	
19	5XD-15621-00	.BOSS, KICK CRANK	1	1	1	1	
20	90501-147A5	.SPRING, COMPRESSION	1	1	1	1	
21	93507-32009	.BALL	1	1	1	1	
22	90152-06010	.SCREW, COUNTERSUNK	1	1	1	1	
23	93210-17570	.O-RING	1	1	1	1	
24	90110-08087	BOLT, HEXAGON SOCKET HEAD	1	1	1	1	
25	90201-08047	WASHER, PLATE	1	1	1	1	

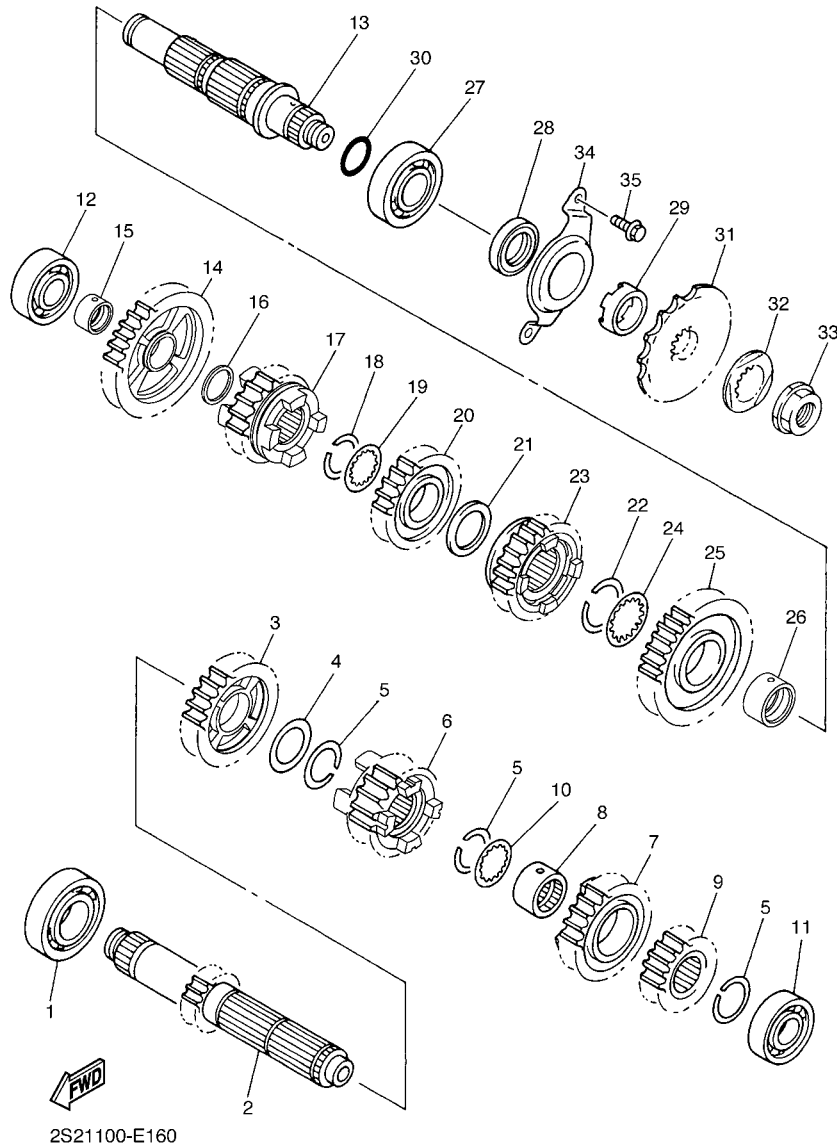


2S27100-F150

FIG. 16 CLUTCH

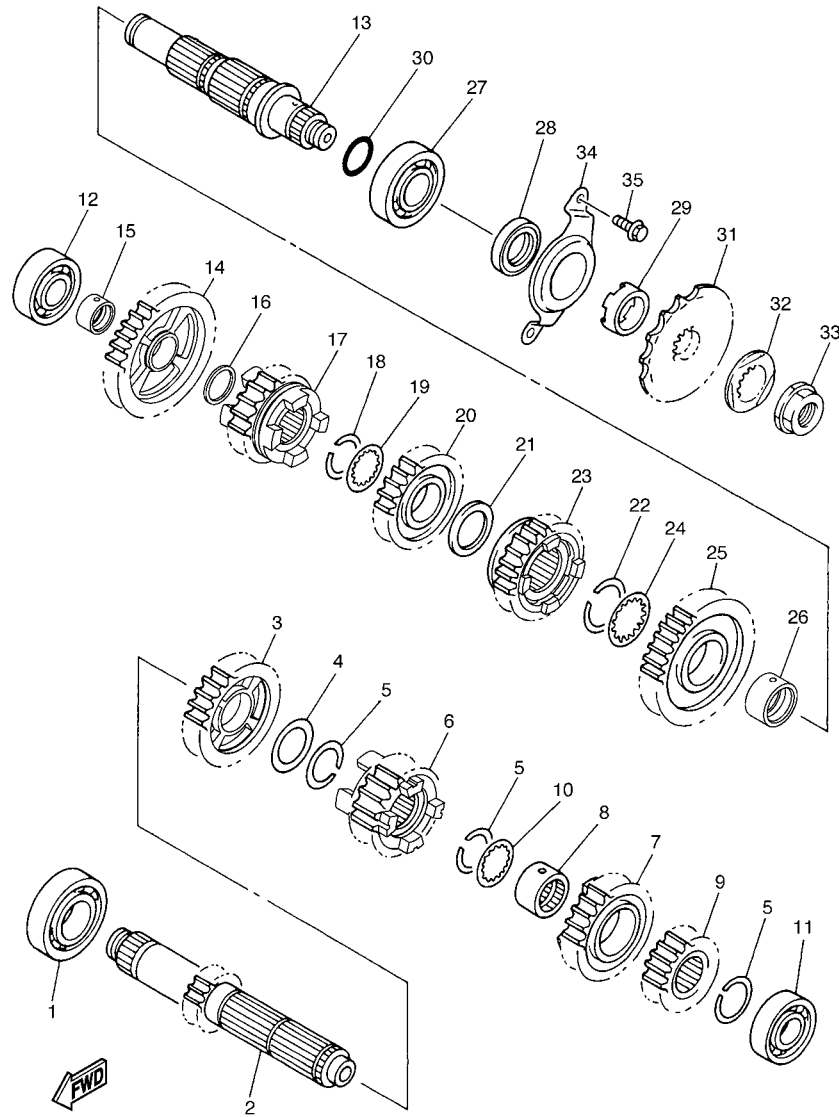
REF. NO.	PART NO.	DESCRIPTION	2S2B	2S2C	2S2D	2S2E	REMARKS
1	2S2-16111-60	GEAR, PRIMARY DRIVE	1	1	1	1	
2	90208-25045	WASHER, CONICAL SPRING	1	1	1	1	
3	90179-20009	NUT	1	1	1	1	
4	5XD-16150-60	PRIMARY DRIVEN GEAR COMP.	1	1	1	1	
5	5TA-16371-10	BOSS, CLUTCH	1	1	1	1	
6	2S2-16351-00	PLATE, P <small>RE</small> SSURE 1	1	1	1	1	
7	4X7-16325-00	PLATE, CLUTCH 2	7	7	7	7	
8	5TA-16321-00	PLATE, FRICTION	8	8	8	8	
9	90501-230E4	SPRING, COMPRESSION	6	6	6	6	
10	90159-06010	SCREW, WITH WASHER	6	6	6	6	
11	5XD-16154-00	PLATE, THRUST 1	1	1	1	1	
12	90215-20005	WASHER, LOCK	1	1	1	1	
13	90170-20327	NUT	1	1	1	1	
14	5JG-16356-00	ROD, PUSH 1	1	1	1	1	
15	93340-21505	BEARING	1	1	1	1	
16	90201-125L6	WASHER, PLATE	1	1	1	1	
17	93440-10085	CIRCLIP	1	1	1	1	
18	93511-32027	BALL	1	1	1	1	
19	2S2-16357-00	ROD, PUSH 2	1	1	1	1	
20	2S2-16380-10	PUSH LEVER ASSY	1	1	1	1	
21	93317-11287	BEARING	1	1	1	1	
22	93102-12224	OIL SEAL	1	1	1	1	
23	99009-20500	CIRCLIP	1	1	1	1	

FIG. 17 TRANSMISSION



REF. NO.	PART NO.	DESCRIPTION	2S2B	2S2C	2S2D	2S2E	REMARKS
1	93306-20532	BEARING	1	1	1	1	
2	2S2-17411-00	AXLE,MAIN(14T)	1	1	1	1	
3	2S2-17151-00	GEAR, 5TH PINION(21T)	1	1	1	1	
4	90201-253K0	WASHER, PLATE (T=1.0)	1	1	1	1	
5	93440-25084	CIRCLIP	3	3	3	3	
6	2S2-17131-00	GEAR, 3RD PINION(18T)	1	1	1	1	
7	2S2-17141-00	GEAR, 4TH PINION (22T)	1	1	1	1	
8	90387-21005	COLLAR	1	1	1	1	
9	2S2-17121-00	GEAR, 2ND PINION(15T)	1	1	1	1	
10	90209-21332	WASHER	1	1	1	1	
11	93306-00431	BEARING	1	1	1	1	
12	93306-00426	BEARING	1	1	1	1	
13	2S2-17402-00	DRIVE AXLE ASSY	1	1	1	1	
14	2S2-17211-00	GEAR, 1ST WHEEL(27T)	1	1	1	1	
15	90387-20028	COLLAR	1	1	1	1	
16	90201-203E7	WASHER, PLATE	1	1	1	1	
17	2S2-17251-00	GEAR, 5TH WHEEL(20T)	1	1	1	1	
18	93440-25084	CIRCLIP	1	1	1	1	
19	90209-21332	WASHER	1	1	1	1	
20	2S2-17231-00	GEAR, 3RD WHEEL(23T)	1	1	1	1	
21	90201-253K0	WASHER, PLATE (T=1.0)	1	1	1	1	
22	93440-28062	CIRCLIP	1	1	1	1	
23	2S2-17241-00	GEAR, 4TH WHEEL(24T)	1	1	1	1	
24	90209-26348	WASHER	1	1	1	1	
25	2S2-17221-00	GEAR, 2ND WHEEL(23T)	1	1	1	1	
26	90387-28012	COLLAR	1	1	1	1	
27	93306-205A5	BEARING	1	1	1	1	

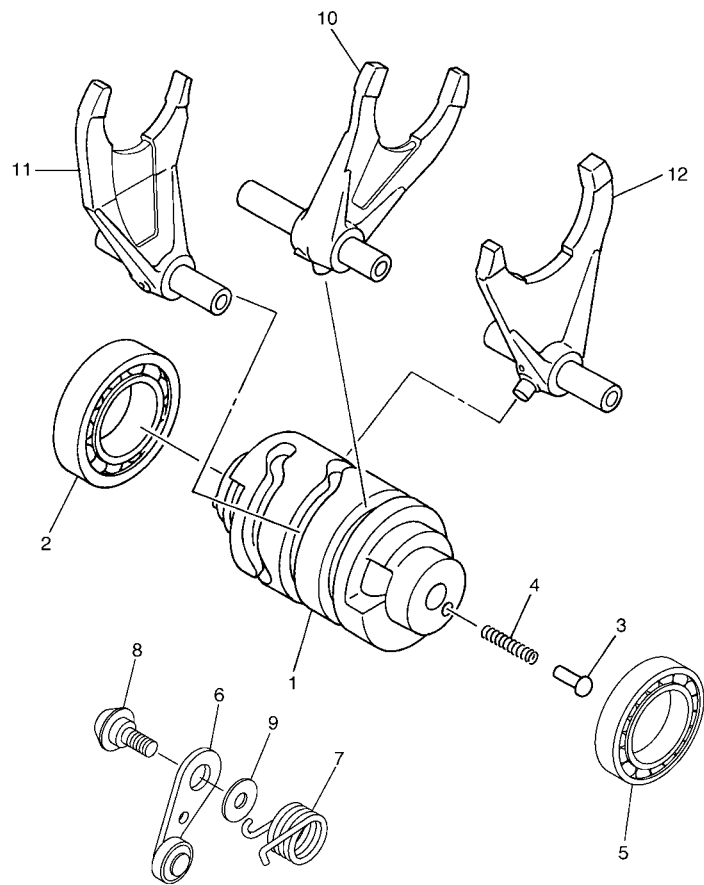
FIG. 17 TRANSMISSION



2S21100-E160

REF. NO.	PART NO.	DESCRIPTION	2S2B	2S2C	2S2D	2S2E	REMARKS
28	93102-32480	OIL SEAL	1	1	1	1	
29	90387-2513F	COLLAR	1	1	1	1	
30	93210-22164	O-RING	1	1	1	1	
31	9383E-13233	SPROCKET, DRIVE (13T)	1	1	1	1	
32	90215-21003	WASHER, LOCK	1	1	1	1	
33	90179-20001	NUT	1	1	1	1	
34	2S2-17471-00	PLATE, COVER	1	1	1	1	
35	90105-06081	BOLT, FLANGE	2	2	2	2	



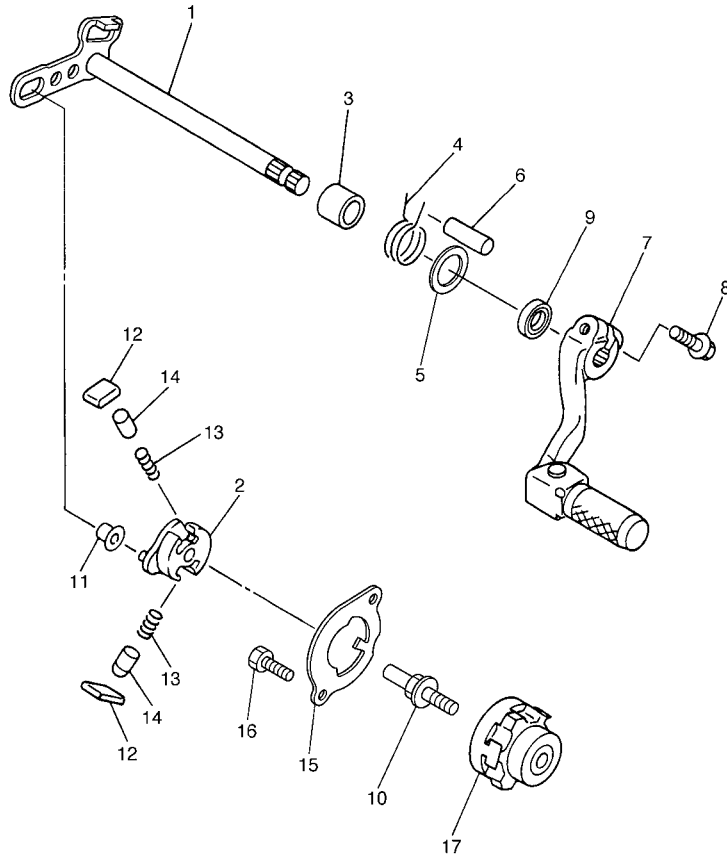


2S27100-F170

FIG. 18 SHIFT CAM & FORK

REF. NO.	PART NO.	DESCRIPTION	2S2B	2S2C	2S2D	2S2E	REMARKS
1	5NL-18541-00	CAM, SHIFT	1	1	1	1	
2	93306-90509	BEARING	1	1	1	1	
3	278-18542-00	POINT, NEUTRAL	1	1	1	1	
4	90501-06022	SPRING, COMPRESSION	1	1	1	1	
5	93306-80501	BEARING	1	1	1	1	
6	2S2-18140-10	STOPPER LEVER ASSY	1	1	1	1	
7	90508-26021	SPRING, TORSION	1	1	1	1	
8	90109-06198	BOLT	1	1	1	1	
9	90201-06013	WASHER, PLATE	1	1	1	1	
10	2S2-18501-00	FORK, SHIFT 1	1	1	1	1	
11	2S2-18502-00	FORK, SHIFT 2	1	1	1	1	
12	5BE-18503-00	FORK, SHIFT 3	1	1	1	1	

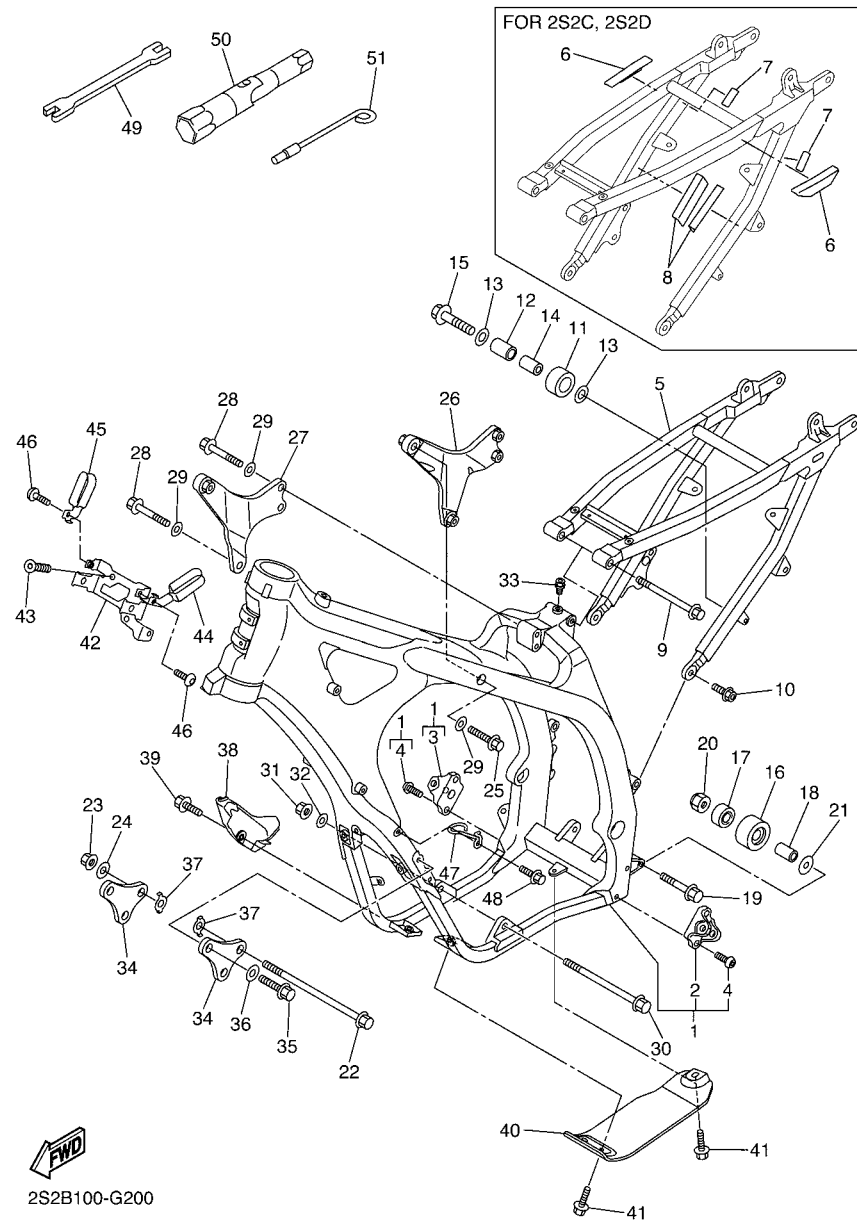
FIG. 19 SHIFT SHAFT



REF. NO.	PART NO.	DESCRIPTION	2S2B	2S2C	2S2D	2S2E	REMARKS
1	2S2-18101-00	SHIFT SHAFT ASSY	1	1	1	1	
2	5MW-18122-01	LEVER, SHIFT 2	1	1	1	1	
3	90387-124F4	COLLAR	1	1	1	1	
4	90508-29021	SPRING, TORSION	1	1	1	1	
5	90201-127E1	WASHER, PLATE	1	1	1	1	
6	93608-33002	PIN, DOWEL	1	1	1	1	
7	2S2-18110-00	SHIFT PEDAL ASSY	1	1	1	1	
8	95022-06020	BOLT, FLANGE	1	1	1	1	
9	93102-12224	OIL SEAL	1	1	1	1	
10	3XJ-18173-10	PIN, SHIFT	1	1	1	1	
11	3XJ-18178-00	ROLLER, SHIFT LEVER	1	1	1	1	
12	3XJ-18182-00	PAWL, SHIFTER	2	2	2	2	
13	90501-052G5	SPRING, COMPRESSION	2	2	2	2	
14	3XJ-18184-00	PIN, PAWL	2	2	2	2	
15	5TJ-18172-00	GUIDE, SHIFT	1	1	1	1	
16	90101-06041	BOLT	2	2	2	2	
17	2S2-18185-00	SEGMENT	1	1	1	1	



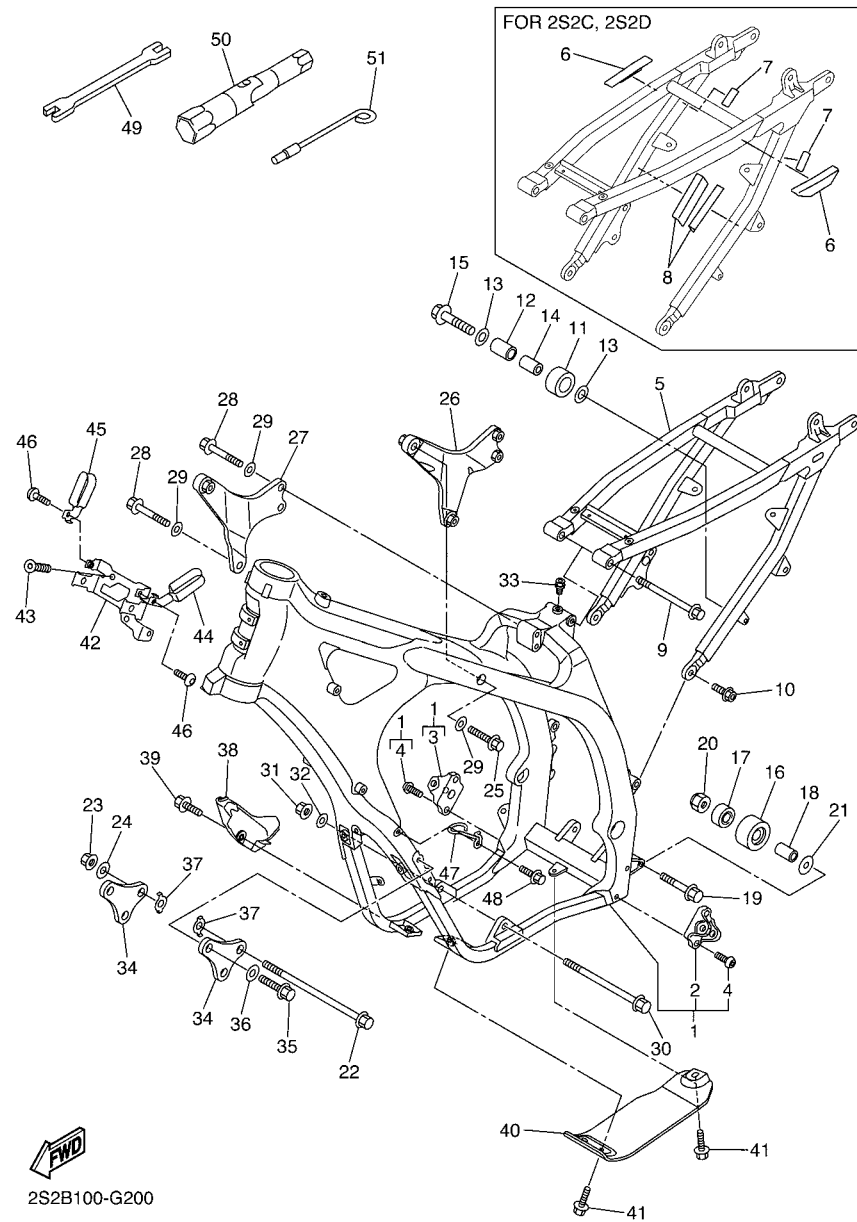
2S21100-E180



2S2B100-G200

FIG. 20 FRAME

REF. NO.	PART NO.	DESCRIPTION	2S2B	2S2C	2S2D	2S2E	REMARKS
1	2S2-21101-B0	FRONT FRAME COMP.	1	1	1	1	
2	1C3-21447-10	.BRACKET, FOOTREST	1	1	1	1	
3	1C3-21448-10	.BRACKET, FOOTREST	1	1	1	1	
4	90149-10031	.SCREW	4	4	4	4	
5	5XC-21190-L0	REAR FRAME COMP.	1	1	1	1	
6	2S2-21778-00	DAMPER, LOCATING 1		2	2		
7	2S2-21779-00	DAMPER, LOCATING 2		2	2		
8	2S2-2177M-00	DAMPER, LOCATING 3		2	2		
9	90105-08156	BOLT, FLANGE	1	1	1	1	
10	90105-08307	BOLT, FLANGE	2	2	2	2	
11	30X-22178-00	TENSIONER	1	1	1	1	
12	4V4-22184-00	BUSH	1	1	1	1	
13	90201-08045	WASHER, PLATE	2	2	2	2	
14	90387-08041	COLLAR	1	1	1	1	
15	95022-08040	BOLT, FLANGE	1	1	1	1	
16	3JD-22178-20	TENSIONER	1	1	1	1	
17	93300-60839	BEARING	1	1	1	1	
18	90387-086N4	COLLAR	1	1	1	1	
19	90105-08146	BOLT, FLANGE	1	1	1	1	
20	90185-08009	NUT, SELF-LOCKING	1	1	1	1	
21	90201-08043	WASHER, PLATE	1	1	1	1	
22	90105-10193	BOLT, FLANGE	1	1	1	1	
23	90179-10658	NUT	1	1	1	1	
24	90201-10045	WASHER, PLATE	1	1	1	1	
25	90105-10189	BOLT, FLANGE	2	2	2	2	
26	2S2-21425-70	BRACKET, REAR UPPER 1	1	1	1	1	
27	2S2-21426-70	BRACKET, REAR UPPER 2	1	1	1	1	



2S2B100-G200

FIG. 20 FRAME

REF. NO.	PART NO.	DESCRIPTION	2S2B	2S2C	2S2D	2S2E	REMARKS
28	90105-10191	BOLT, FLANGE	3	3	3	3	
29	90201-10045	WASHER, PLATE	5	5	5	5	
30	90105-10176	BOLT, FLANGE	1	1	1	1	
31	90179-10658	NUT	1	1	1	1	
32	90201-10045	WASHER, PLATE	1	1	1	1	
33	1C3-21244-10	NUT	1	1	1	1	
34	2S2-21417-00	BRACKET, FRONT LOWER 1	2	2	2	2	
35	90105-08143	BOLT, FLANGE	4	4	4	4	
36	92902-08200	WASHER	4	4	4	4	
37	5XC-21456-90	PLATE, PATCH	2	2	2	2	
38	2S2-21471-00	PROTECTOR, ENGINE	1	1	1	1	
39	90119-06146	BOLT, WITH WASHER	1	1	1	1	
40	2S2-2147E-00	GUARD, ENGINE 2	1	1	1	1	
41	90119-06146	BOLT, WITH WASHER	3	3	3	3	
42	5XC-21274-90	BRACKET, C.D.I. UNIT	1	1	1	1	
43	90151-06032	SCREW, COUNTERSUNK	2	2	2	2	
44	2S2-21163-70	HOLDER, CLUTCH CABLE	1	1	1	1	
45	5XC-21164-90	HOLDER, CABLE	1	1	1	1	
46	92012-05008	BOLT, BUTTON HEAD	2	2	2	2	
47	5XC-21288-90	GUIDE, CABLE	1	1	1	1	
48	90105-05014	BOLT, FLANGE	1	1	1	1	
49	5ET-28166-10	WRENCH, HEXAGON	1	1	1	1	
50	5TA-2814F-00	BOX, SPARK PLUG	1	1	1	1	
51	5XC-28116-00	TOOL, SPECIAL	1	1	1	1	

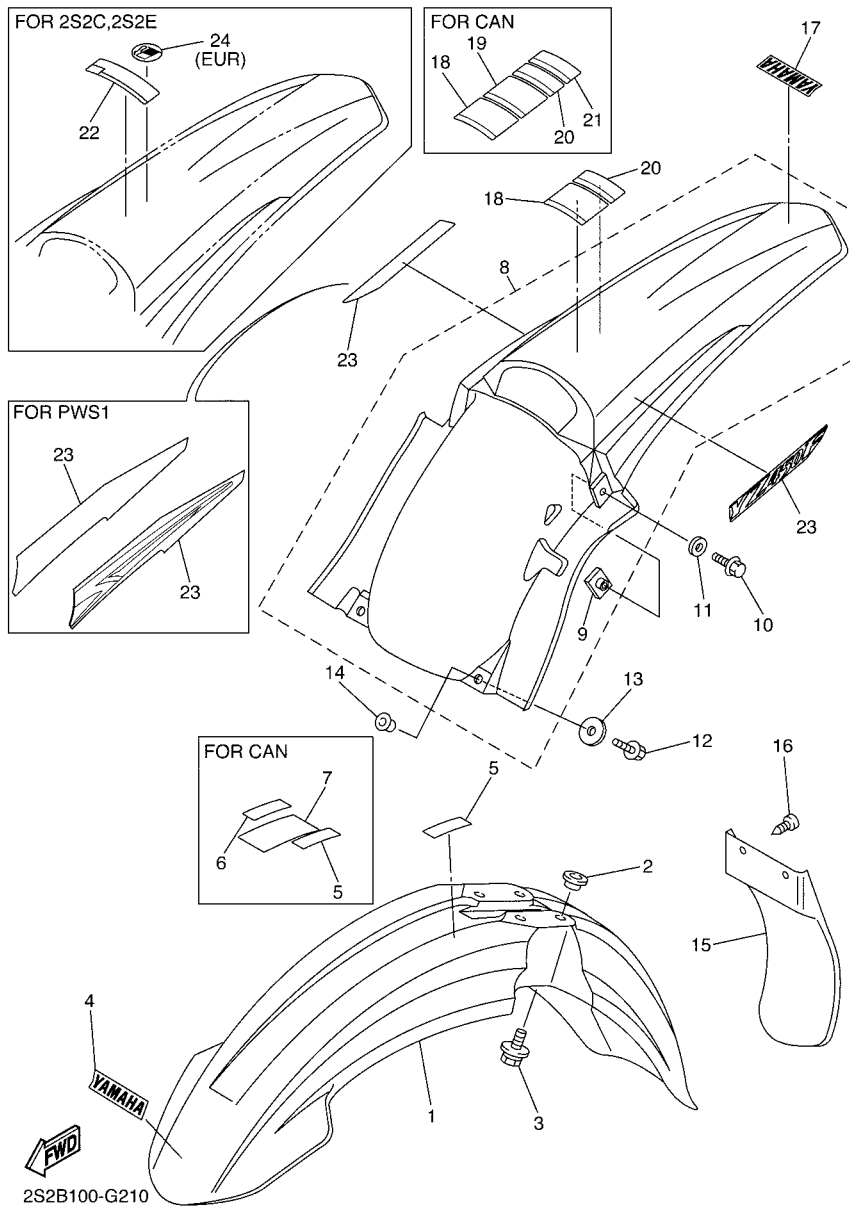
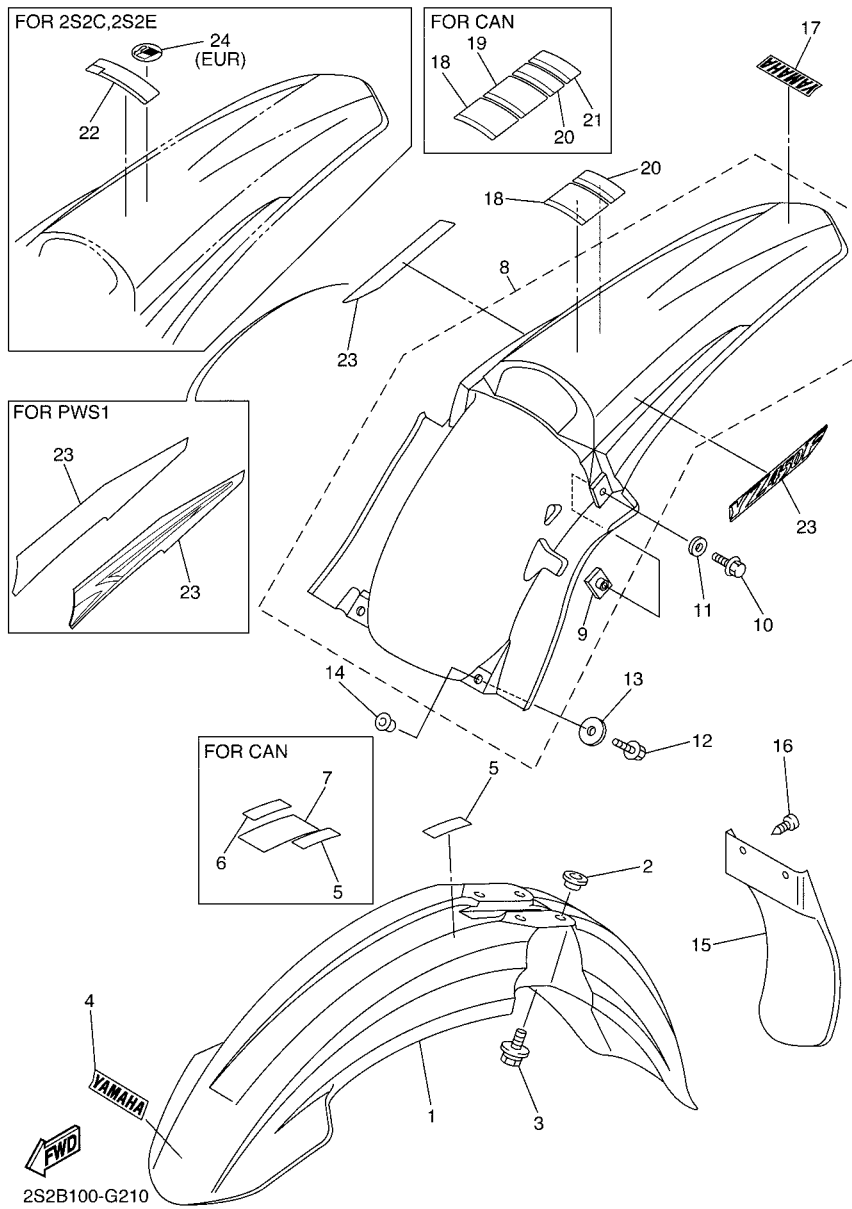


FIG. 21 FENDER

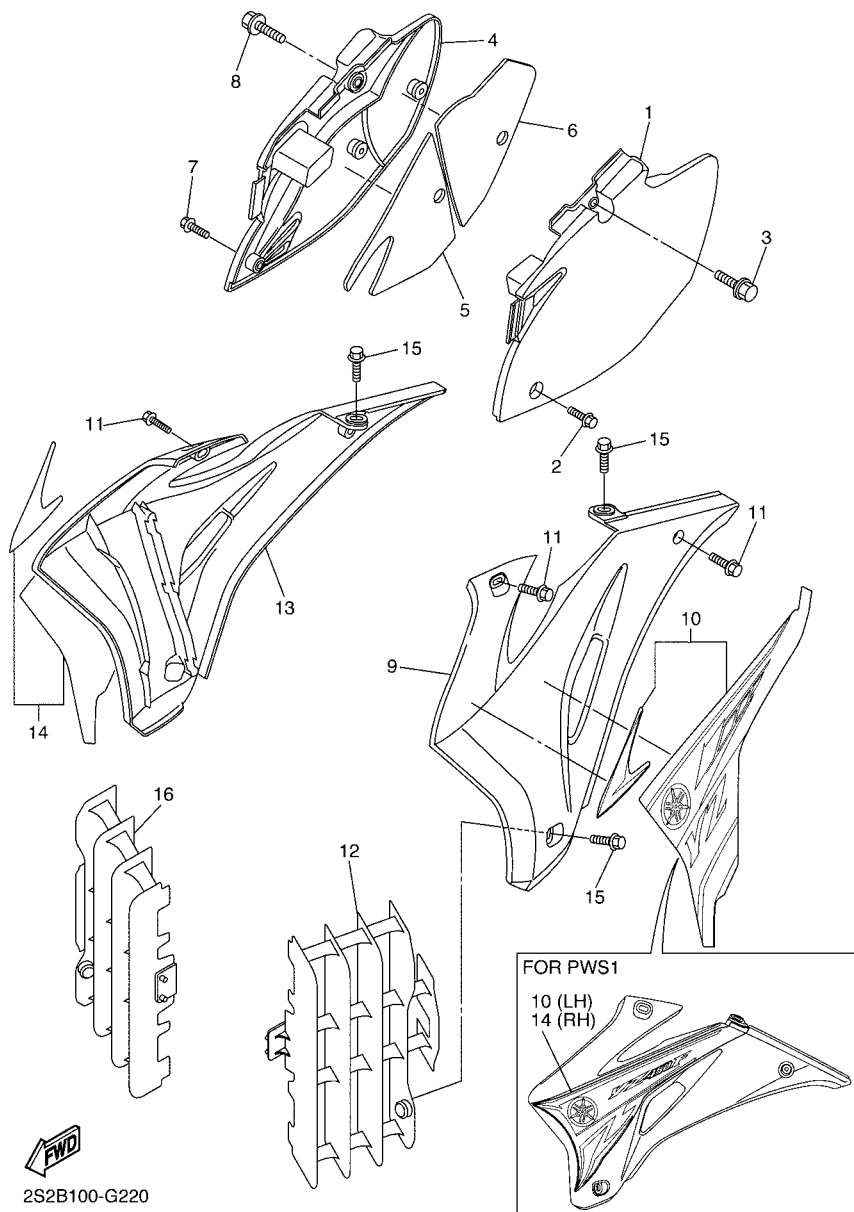
REF. NO.	PART NO.	DESCRIPTION	2S2B	2S2C	2S2D	2S2E	REMARKS
1	1C3-21511-51	FENDER, FRONT	1	1	1	1	UR FOR DPBSE
	2S2-21511-70	FENDER, FRONT	1	1		1	UR FOR PWS1
2	90387-06090	COLLAR	4	4	4	4	
3	90119-06147	BOLT, WITH WASHER	4	4	4	4	
4	4ES-2153E-01	EMBLEM, YAMAHA	1	1	1	1	UR FOR DPBSE
	4ES-2153E-10	EMBLEM, YAMAHA	1	1		1	UR FOR PWS1
5	3FB-2415E-02	LABEL, CAUTION	1				
	3FB-2415E-C1	LABEL, CAUTION			1		JAPANESE
6	3FB-2415E-12	LABEL, CAUTION	1				FOR CAN
7	4SR-2416E-00	LABEL, CAUTION CANADA	1				FOR CAN
8	5XC-21610-90	REAR FENDER COMP.	1	1	1	1	UR FOR DPBSE
	2S2-21610-70	REAR FENDER COMP.	1	1		1	UR FOR PWS1
9	5XE-21635-10	.NUT, REAR FENDER	2	2	2		
10	90105-06100	BOLT, FLANGE	2	2	2	2	
11	90201-06032	WASHER, PLATE	2	2	2	2	
12	90105-06106	BOLT, FLANGE	2	2	2	2	
13	90201-06085	WASHER, PLATE	2	2	2	2	
14	90387-06009	COLLAR	2	2	2	2	
15	5TA-21642-00	GUARD, FLAP	1	1	1	1	
16	97702-60016	SCREW, TAPPING	2	2	2	2	
17	3WF-2153E-10	EMBLEM, YAMAHA	1	1	1	1	UR FOR DPBSE
	3WF-2153E-70	EMBLEM, YAMAHA	1	1		1	UR FOR PWS1
18	5PA-2118K-00	LABEL, CAUTION	1				
	5PA-2118K-20	LABEL, CAUTION			1		
19	5PA-2118K-10	LABEL, CAUTION	1				FOR CAN
20	3XJ-2151H-A1	LABEL 5	1				
	4LB-2151H-02	LABEL 5			1		JAPANESE



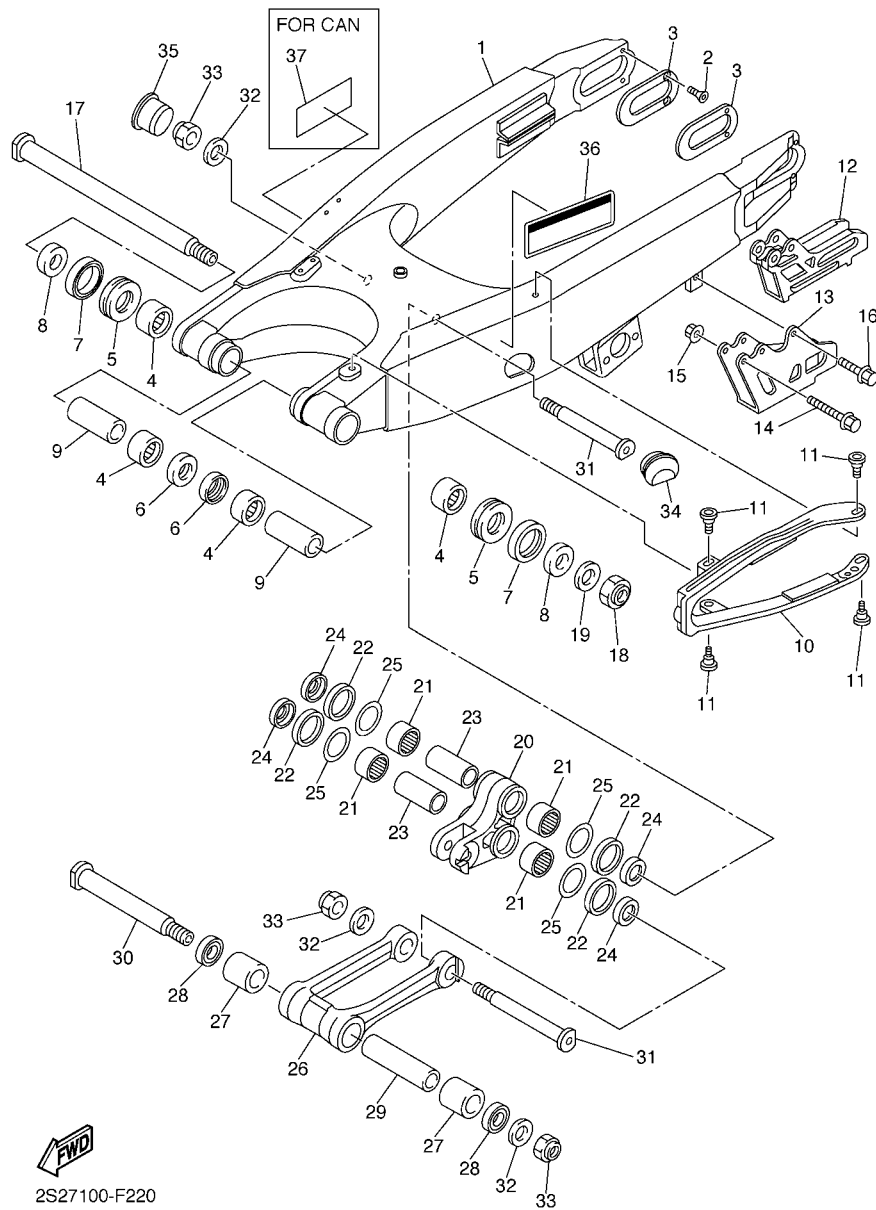
**FIG. 21 FENDER**

REF. NO.	PART NO.	DESCRIPTION	2S2B	2S2C	2S2D	2S2E	REMARKS
21	3XJ-2151H-B1	LABEL 5	1				FOR CAN
22	5RU-21568-00	LABEL, WARNING		1		1	
23	2S2-2163G-00	EMBLEM 1	2	2	2	2	UR FOR DPBSE
	2S2-2165A-10	GRAPHIC SET, REAR FENDER	1	1		1	UR FOR PWS1
24	3ME-2415E-01	LABEL, CAUTION	1				
-----							
-----							
-----							
-----							
-----							
-----							
-----							
-----							

FIG. 22 SIDE COVER



REF. NO.	PART NO.	DESCRIPTION	2S2B	2S2C	2S2D	2S2E	REMARKS
1	5XC-21710-90	SIDE COVER ASSY 1	1	1	1	1	
2	90105-06103	BOLT, FLANGE	1	1	1	1	
3	90119-08095	BOLT, WITH WASHER	1	1	1	1	
4	5XC-21720-90	SIDE COVER ASSY 2	1	1	1	1	
5	2S2-2174A-C0	INSULATOR, SIDE COVER			1	1	
6	2S2-2174T-C0	INSULATOR, SIDE COVER 2			1	1	
7	90105-06103	BOLT, FLANGE	1	1	1	1	
8	90119-08095	BOLT, WITH WASHER	1	1	1	1	
9	5XC-21730-90	SIDE COVER ASSY 3	1	1	1	1	UR FOR DPBSE
	2S2-21730-70	SIDE COVER ASSY 3	1	1		1	UR FOR PWS1
10	5XC-2173L-20	GRAPHIC SET 1	1	1	1	1	UR FOR DPBSE
	2S2-2173E-00	GRAPHIC 1	1	1		1	UR FOR PWS1
11	90105-06064	BOLT, FLANGE	4	4	4	4	
12	2S2-2172A-70	PANEL 1	1	1	1	1	
13	5XC-21740-90	SIDE COVER ASSY 4	1	1	1	1	UR FOR DPBSE
	2S2-21740-70	SIDE COVER ASSY 4	1	1		1	UR FOR PWS1
14	5XC-2174L-20	GRAPHIC SET 2	1	1	1	1	UR FOR DPBSE
	2S2-2173F-00	GRAPHIC 2	1	1		1	UR FOR PWS1
15	90105-06064	BOLT, FLANGE	4	4	4	4	
16	2S2-2172A-80	PANEL 1	1	1	1	1	

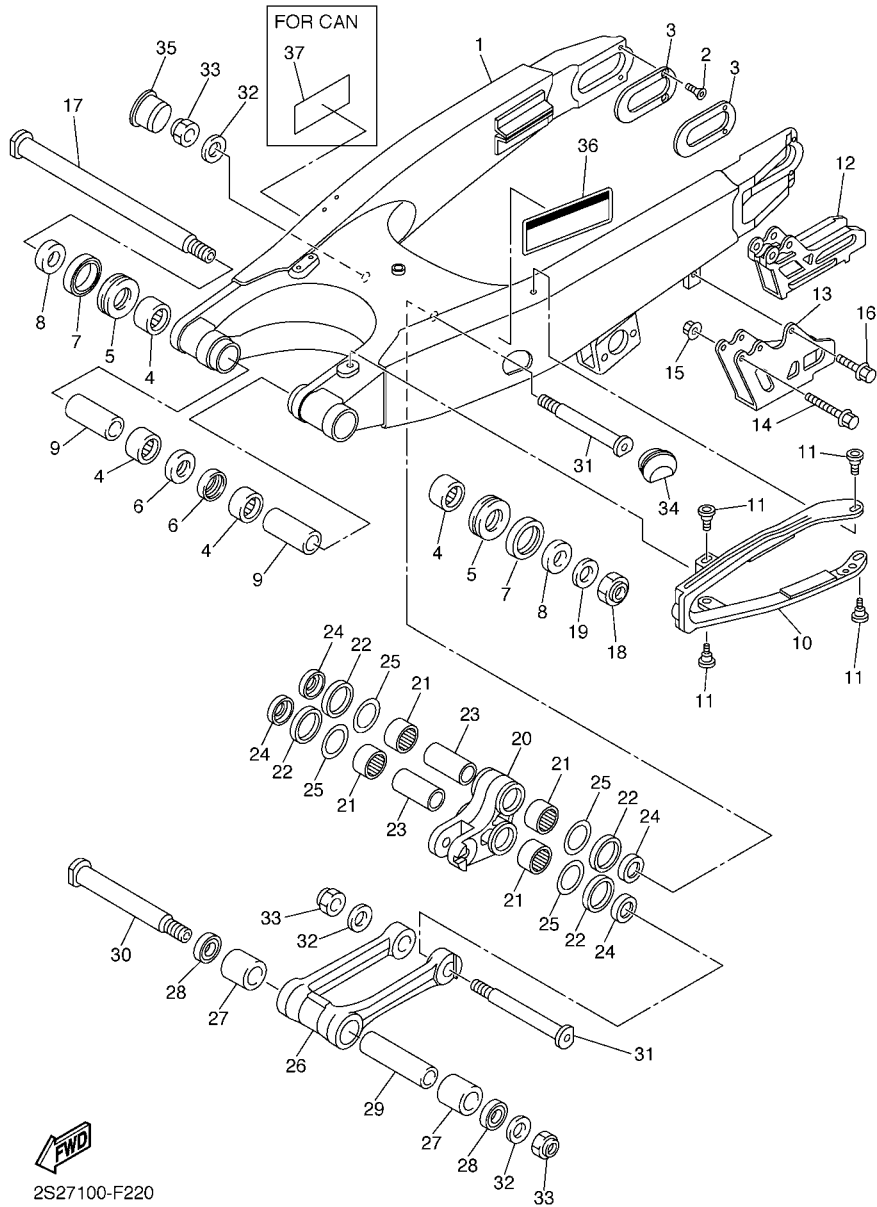


2S27100-F220

FIG. 23 REAR ARM

REF. NO.	PART NO.	DESCRIPTION	2S2B	2S2C	2S2D	2S2E	REMARKS
1	2S2-22110-70	REAR ARM COMP.	1	1	1	1	
2	90151-04003	SCREW, COUNTERSUNK	4	4	4	4	
3	1P8-22355-00	PATCH	2	2	2	2	
4	93317-22262	BEARING	4	4	4	4	
5	93342-22217	BEARING	2	2	2	2	
6	93106-22002	OIL SEAL	2	2	2	2	
7	93109-28043	OIL SEAL	2	2	2	2	
8	90387-18012	COLLAR	2	2	2	2	
9	90387-18004	COLLAR	2	2	2	2	
10	2S2-22151-70	SEAL, GUARD	1	1	1	1	
11	1C3-22969-90	SCREW, 1	4	4	4	4	
12	2S2-22199-70	SUPPORT, CHAIN	1	1	1	1	
13	2S2-22128-70	COVER, THRUST 1	1	1	1	1	
14	90105-06104	BOLT, FLANGE	2	2	2	2	
15	90179-06028	NUT	2	2	2	2	
16	90105-06105	BOLT, FLANGE	1	1	1	1	
17	1C3-22141-10	SHAFT, PIVOT	1	1	1	1	
18	90185-16002	NUT, SELF-LOCKING	1	1	1	1	
19	90201-16018	WASHER, PLATE	1	1	1	1	
20	5XC-2217A-L0	ARM, RELAY	1	1	1	1	
21	93315-32166	BEARING	4	4	4	4	
22	93109-25001	OIL SEAL	4	4	4	4	
23	90387-16025	COLLAR	2	2	2	2	
24	90209-16011	WASHER	4	4	4	4	
25	90201-21014	WASHER, PLATE	4	4	4	4	
26	5XC-2217F-L0	ROD, CONNECTING 1	1	1	1	1	
27	93315-32269	BEARING	2	2	2	2	



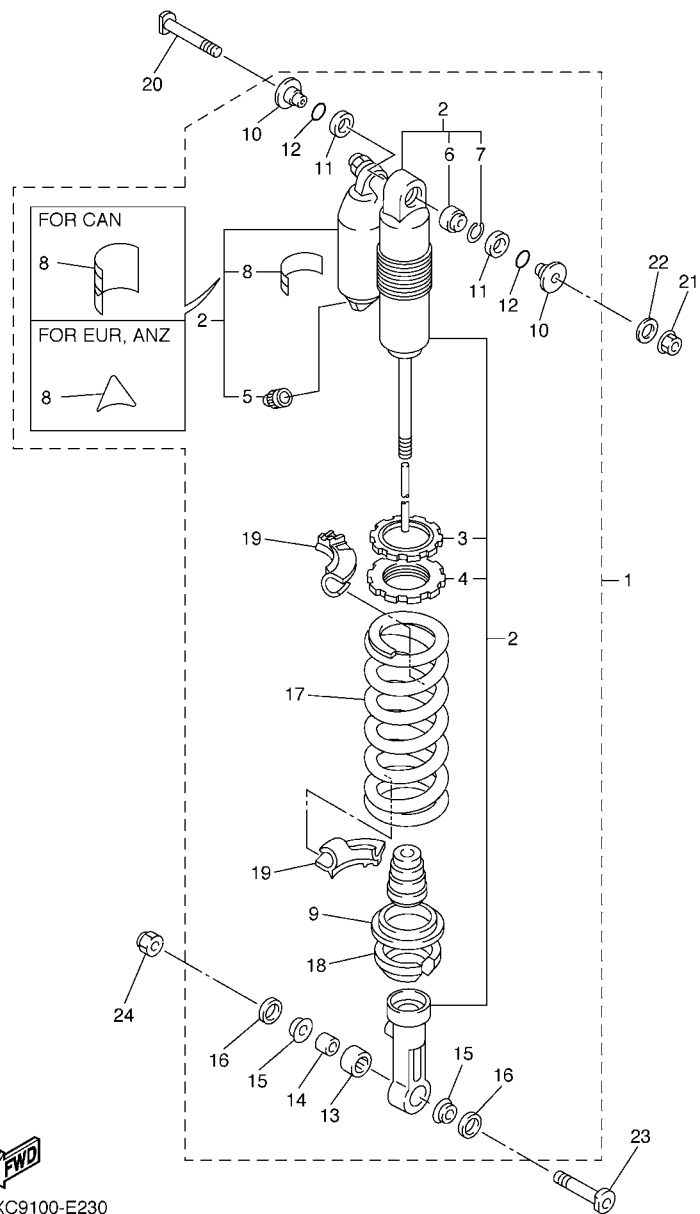


**FWD**  
2S27100-F220

**FIG. 23 REAR ARM**

REF. NO.	PART NO.	DESCRIPTION	2S2B	2S2C	2S2D	2S2E	REMARKS
28	93109-22019	OIL SEAL	2	2	2	2	
29	90387-14009	COLLAR	1	1	1	1	
30	5XC-22121-91	SHAFT 1	1	1	1	1	
31	5XC-22122-L0	SHAFT 2	2	2	2	2	
32	90201-14020	WASHER, PLATE	3	3	3	3	
33	90185-14010	NUT, SELF-LOCKING	3	3	3	3	
34	1C3-2135F-00	COVER	1	1	1	1	
35	1C3-2139R-00	COVER 2	1	1	1	1	
36	3RV-21668-A0	LABEL, TIRE	1	1		1	
37	3RV-21668-B0	LABEL, TIRE	1				FOR CAN

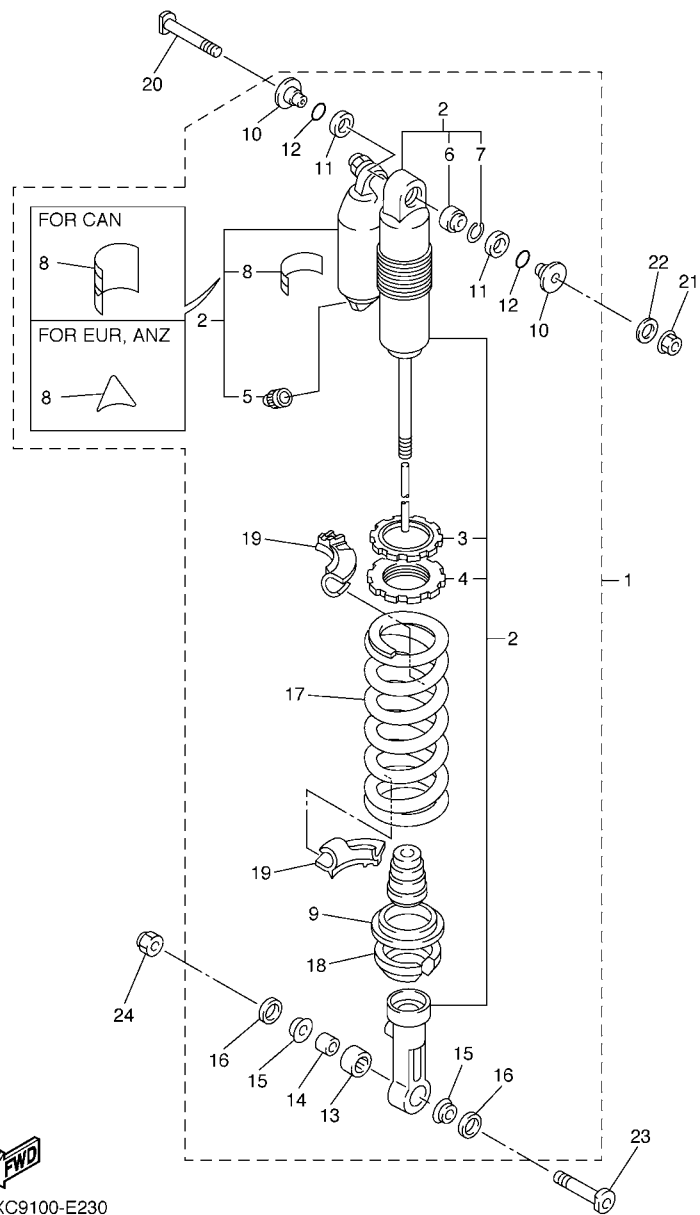
**FIG. 24 REAR SUSPENSION**



**FWD**  
5XC9100-E230

REF. NO.	PART NO.	DESCRIPTION	2S2B	2S2C	2S2D	2S2E	REMARKS	
1	2S2-22200-A0	SHOCK ABSORBER ASSY, REAR	1				UR FOR DPBSE(USA)	
	2S2-22200-E0	SHOCK ABSORBER ASSY, REAR	1				UR FOR DPBSE(CAN)	
	2S2-22200-F0	SHOCK ABSORBER ASSY, REAR	1				UR FOR PWS1(USA)	
	2S2-22200-J0	SHOCK ABSORBER ASSY, REAR	1				UR FOR PWS1(CAN)	
	2S2-22200-B0	SHOCK ABSORBER ASSY, REAR		1			UR FOR DPBSE	
	2S2-22200-G0	SHOCK ABSORBER ASSY, REAR		1			UR FOR PWS1	
	2S2-22200-C0	SHOCK ABSORBER ASSY, REAR			1		UR FOR DPBSE	
	2S2-22200-D0	SHOCK ABSORBER ASSY, REAR				1	UR FOR PWS1	
	2S2-22200-H0	SHOCK ABSORBER ASSY, REAR				1	UR FOR PWS1	
	2	2S2-22201-A0	.DAMPER SUB ASSY	1				UR FOR DPBSE(USA)
2S2-22201-E0		.DAMPER SUB ASSY	1				UR FOR DPBSE(CAN)	
2S2-22201-F0		.DAMPER SUB ASSY	1				UR FOR PWS1(USA)	
2S2-22201-J0		.DAMPER SUB ASSY	1				UR FOR PWS1(CAN)	
2S2-22201-B0		.DAMPER SUB ASSY		1			UR FOR DPBSE	
2S2-22201-G0		.DAMPER SUB ASSY		1			UR FOR PWS1	
2S2-22201-C0		.DAMPER SUB ASSY			1		UR FOR DPBSE	
2S2-22201-D0		.DAMPER SUB ASSY				1	UR FOR PWS1	
2S2-22201-H0		.DAMPER SUB ASSY				1	UR FOR PWS1	
3		3SP-22234-00	..GUIDE, SPRING 3	1	1	1	1	
4	1C3-22213-L0	..SEAT, SPRING UPPER	1	1	1	1		
5	509-23184-L0	..CAP, AIR VALVE	1	1	1	1		
	6	4JX-22226-00	..BUSH, SHOCK ABSORBER LOWER	1	1	1	1	
	7	5DH-23183-00	..CIRCLIP	1	1	1	1	
	8	4AA-22259-80	..LABEL, WARNING	1				UR FOR USA
		4AA-22259-60	..LABEL, WARNING	1				UR FOR CAN
8	4AA-22259-40	..LABEL, WARNING		1		1		
	4AA-22259-50	..LABEL, WARNING			1			

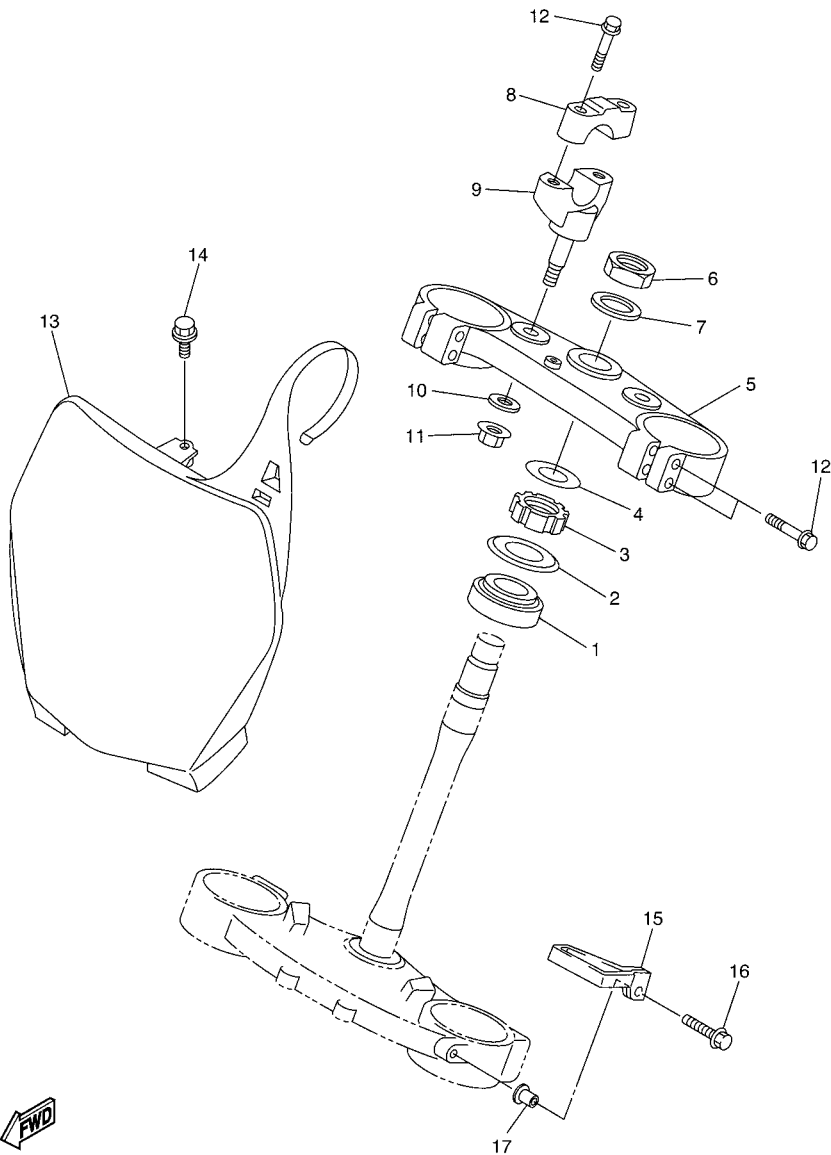
FIG. 24 REAR SUSPENSION



5XC9100-E230

REF. NO.	PART NO.	DESCRIPTION	2S2B	2S2C	2S2D	2S2E	REMARKS
9	5MV-22224-00	.GUIDE, SPRING 2	1	1	1	1	
10	1C3-22253-50	.COLLAR, DISTANCE	2	2	2	2	
11	3JE-22475-00	.SEAL, DUST	2	2	2	2	
12	4EW-22474-00	.SEAL, RING	2	2	2	2	
13	5UN-22176-00	.BEARING	1	1	1	1	
14	5MV-22184-00	.BUSH	1	1	1	1	
15	1C3-22253-L0	.COLLAR, DISTANCE	2	2	2	2	
16	5NY-22475-00	.SEAL, DUST	2	2	2	2	
17	1C3-22212-50	.SPRING (K=54N/MM)	1	1	1	1	UR FOR DPBSE
	1C3-22212-B0	.SPRING (K=54N/MM)	1	1		1	UR FOR PWS1
18	1C3-22214-50	.GUIDE, SPRING 1	1	1	1	1	
19	1C3-22565-00	.SPRING SEAT	2	2	2	2	
20	5XE-22242-00	BOLT 2	1	1	1	1	
21	95602-10200	NUT, U FLANGE	1	1	1	1	
22	92902-10200	WASHER	1	1	1	1	
23	5NY-22241-00	BOLT 1	1	1	1	1	
24	90185-10012	NUT, SELF-LOCKING	1	1	1	1	

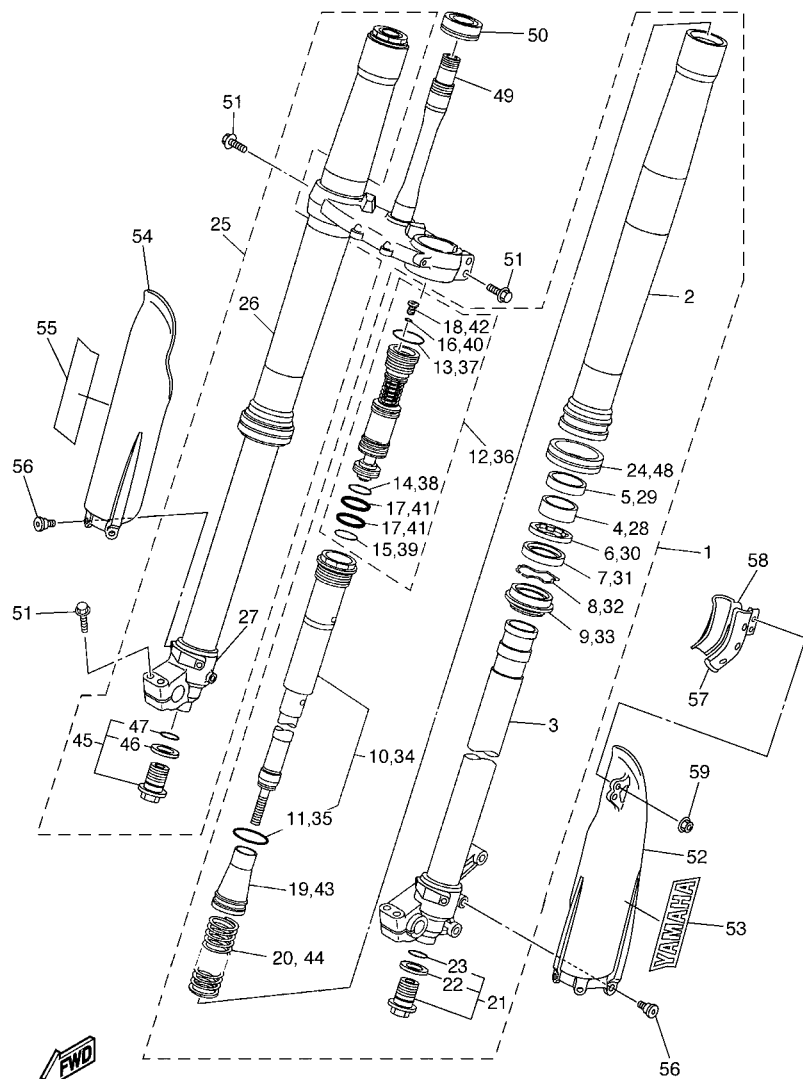
FIG. 25 STEERING



2S2B100-G250

REF. NO.	PART NO.	DESCRIPTION	2S2B	2S2C	2S2D	2S2E	REMARKS
1	93332-00068	BEARING	1	1	1	1	
2	4EW-23416-00	COVER, BALL RACE 2	1	1	1	1	
3	90179-28003	NUT	1	1	1	1	
4	90201-286K9	WASHER, PLATE (T1.0)	1	1	1	1	
5	2S2-23435-71	CROWN, HANDLE	1	1	1	1	
6	90170-24003	NUT	1	1	1	1	
7	90201-24016	WASHER, PLATE	1	1	1	1	
8	5XC-23441-90	HOLDER, HANDLE UPPER	2	2	2	2	
9	5UM-23442-E0	HOLDER, HANDLE LOWER	2	2	2	2	
10	92902-10200	WASHER	2	2	2	2	
11	95602-10200	NUT, U FLANGE	2	2	2	2	
12	90105-08154	BOLT, FLANGE	8	8	8	8	
13	1C3-23485-90	PLATE, NUMBER	1	1	1	1	
14	90119-06149	BOLT, WITH WASHER	1	1	1	1	
15	5XE-23389-00	GUIDE, CABLE	1	1	1	1	
16	90105-06107	BOLT, FLANGE	1	1	1	1	
17	90387-06104	COLLAR	1	1	1	1	

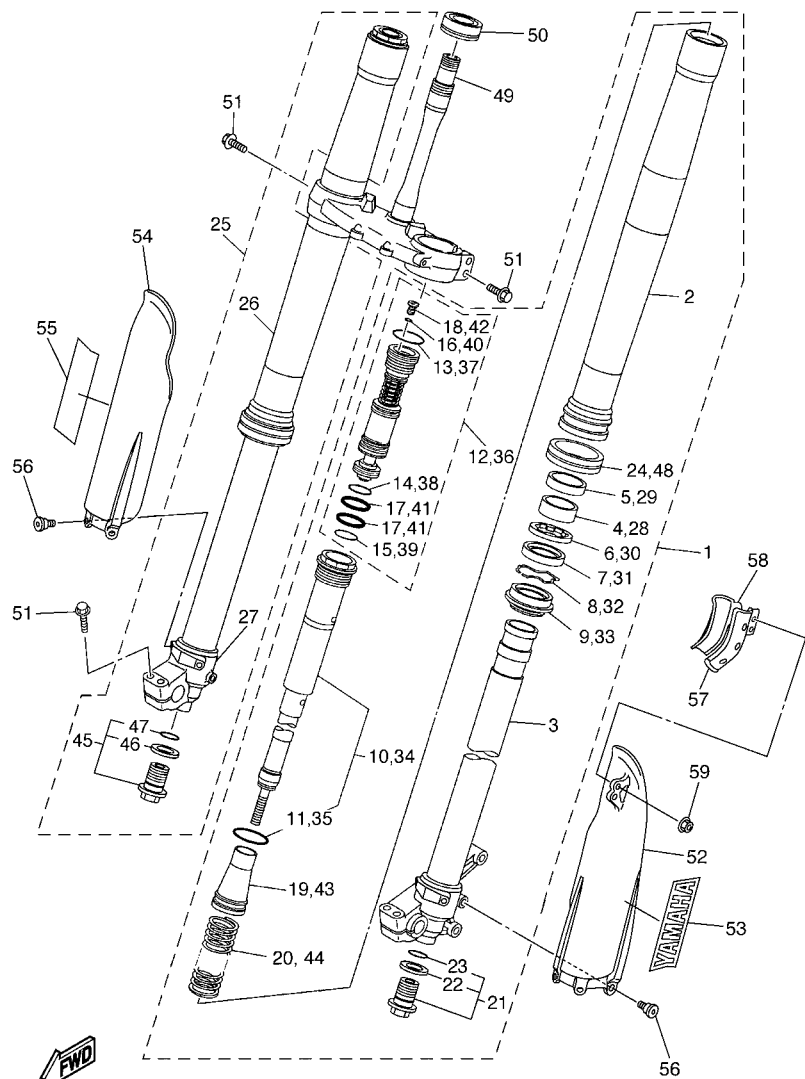
FIG. 26 FRONT FORK



5XCL100-G250

REF. NO.	PART NO.	DESCRIPTION	2S2B	2S2C	2S2D	2S2E	REMARKS
1	2S2-23102-A0	FRONT FORK ASSY (L.H)	1			1	
	2S2-23102-B0	FRONT FORK ASSY (L.H)		1	1		
2	2S2-23136-00	.TUBE, OUTER (RIGHT)	1	1	1	1	
3	2S2-23120-00	.INNER TUBE COMP.2	1	1	1	1	
4	5XE-23171-L0	.PISTON, FRONT FORK	1	1	1	1	
5	5XE-23125-L0	.METAL, SLIDE 1	1	1	1	1	
6	5XC-23146-00	.WASHER, OIL SEAL	1	1	1	1	
7	1C3-23145-M0	.OIL SEAL	1	1	1	1	
8	5XE-23153-L0	.RING, SNAP	1	1	1	1	
9	5XE-23144-L0	.SEAL, DUST	1	1	1	1	
10	2S2-23170-20	.CYLINDER COMP., FRONT FORK	1			1	
	2S2-23170-30	.CYLINDER COMP., FRONT FORK		1	1		
11	1C3-23147-L0	..O-RING	1	1	1	1	
12	2S2-2316A-20	.VALVE COMP.	1			1	
	2S2-2316A-30	.VALVE COMP.		1	1		
13	1C3-23188-L0	..O-RING	1	1	1	1	
14	1C3-23188-N0	..O-RING	1	1	1	1	
15	1C3-23188-P0	..O-RING	1	1	1	1	
16	1C3-23188-R0	..O-RING	1	1	1	1	
17	1AE-23147-00	..O-RING	2	2	2	2	
18	1C3-23190-L0	..AIR VALVE COMP.	1	1	1	1	
19	1C3-23142-L0	.SEAT, SPRING UPPER	1	1	1	1	
20	2S2-23141-L1	.SPRING, FRONT FORK(K=4.6N/MM)	1	1	1	1	
21	5XC-23111-00	.BOLT, CAP	1	1	1	1	
22	2HH-23158-L0	..GASKET	1	1	1	1	
23	276-23114-00	..GASKET	1	1	1	1	
24	5XC-2314F-00	.PROTECTOR GUIDE COMP., 1	1	1	1	1	

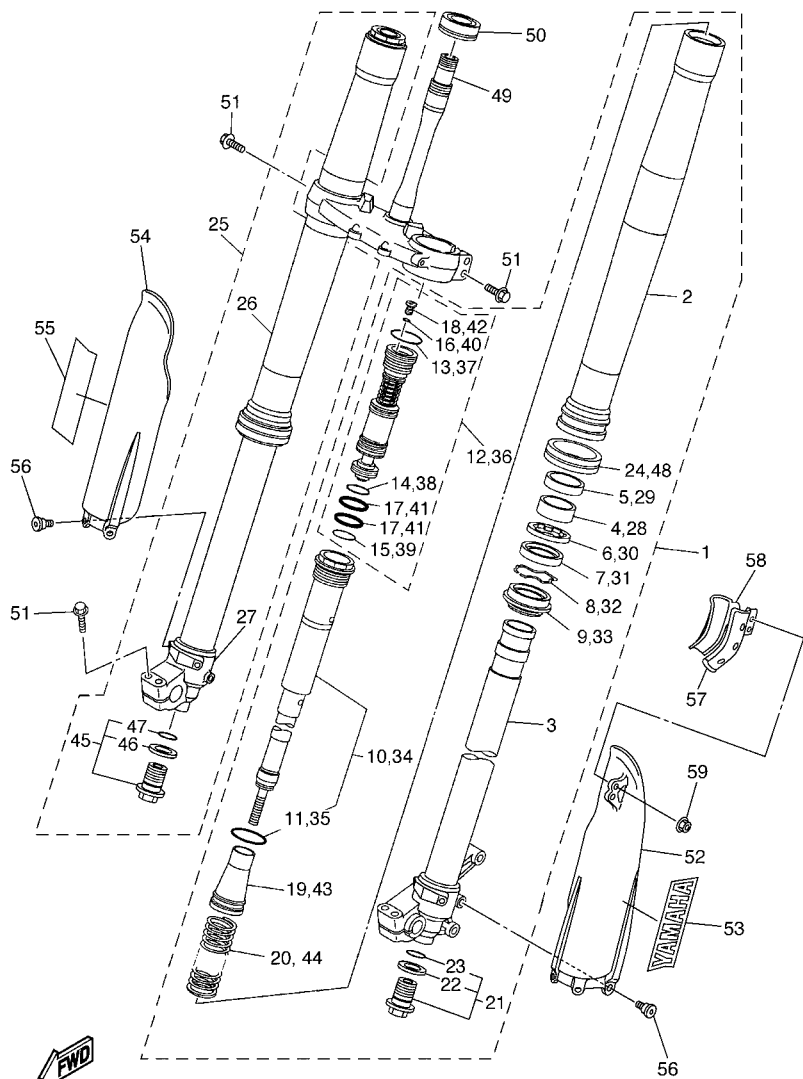
FIG. 26 FRONT FORK



5XCL100-G250

REF. NO.	PART NO.	DESCRIPTION	2S2B	2S2C	2S2D	2S2E	REMARKS
25	2S2-23103-A0	FRONT FORK ASSY (R.H)	1			1	
	2S2-23103-B0	FRONT FORK ASSY (R.H)		1	1		
26	2S2-23136-00	.TUBE, OUTER (RIGHT)	1	1	1	1	
27	2S2-23110-00	.INNER TUBE COMP.1	1	1	1	1	
28	5XE-23171-L0	.PISTON, FRONT FORK	1	1	1	1	
29	5XE-23125-L0	.METAL, SLIDE 1	1	1	1	1	
30	5XC-23146-00	.WASHER, OIL SEAL	1	1	1	1	
31	1C3-23145-M0	.OIL SEAL	1	1	1	1	
32	5XE-23153-L0	.RING, SNAP	1	1	1	1	
33	5XE-23144-L0	.SEAL, DUST	1	1	1	1	
34	2S2-23170-20	.CYLINDER COMP., FRONT FORK	1			1	
	2S2-23170-30	.CYLINDER COMP., FRONT FORK		1	1		
35	1C3-23147-L0	..O-RING	1	1	1	1	
36	2S2-2316A-20	.VALVE COMP.	1			1	
	2S2-2316A-30	.VALVE COMP.		1	1		
37	1C3-23188-L0	..O-RING	1	1	1	1	
38	1C3-23188-N0	..O-RING	1	1	1	1	
39	1C3-23188-P0	..O-RING	1	1	1	1	
40	1C3-23188-R0	..O-RING	1	1	1	1	
41	1AE-23147-00	..O-RING	2	2	2	2	
42	1C3-23190-L0	..AIR VALVE COMP.	1	1	1	1	
43	1C3-23142-L0	.SEAT, SPRING UPPER	1	1	1	1	
44	2S2-23141-L1	.SPRING, FRONT FORK(K=4.6N/MM)	1	1	1	1	
45	5XC-23111-00	.BOLT, CAP	1	1	1	1	
46	2HH-23158-L0	..GASKET	1	1	1	1	
47	276-23114-00	..GASKET	1	1	1	1	
48	5XC-2314F-00	.PROTECTOR GUIDE COMP., 1	1	1	1	1	

FIG. 26 FRONT FORK



5XCL100-G250

REF. NO.	PART NO.	DESCRIPTION	2S2B	2S2C	2S2D	2S2E	REMARKS
49	2S2-23340-10	UNDER BRACKET COMP.	1	1	1	1	
50	93332-00081	BEARING	1	1	1	1	
51	90105-08154	BOLT, FLANGE	8	8	8	8	
52	5XC-2315H-00	PROTECTOR 1	1	1	1	1	
53	4XL-2153A-10	EMBLEM, YAMAHA	1	1	1	1	
54	5XC-2315J-00	PROTECTOR 2	1	1	1	1	
55	4XL-2153A-10	EMBLEM, YAMAHA	1	1	1	1	
56	90109-06232	BOLT	6	6	6	6	
57	5XC-23466-L0	CLAMP	1	1	1	1	
58	5XC-23467-L0	CLAMP	1	1	1	1	
59	95702-06500	NUT, WITH WASHER	2	2	2	2	

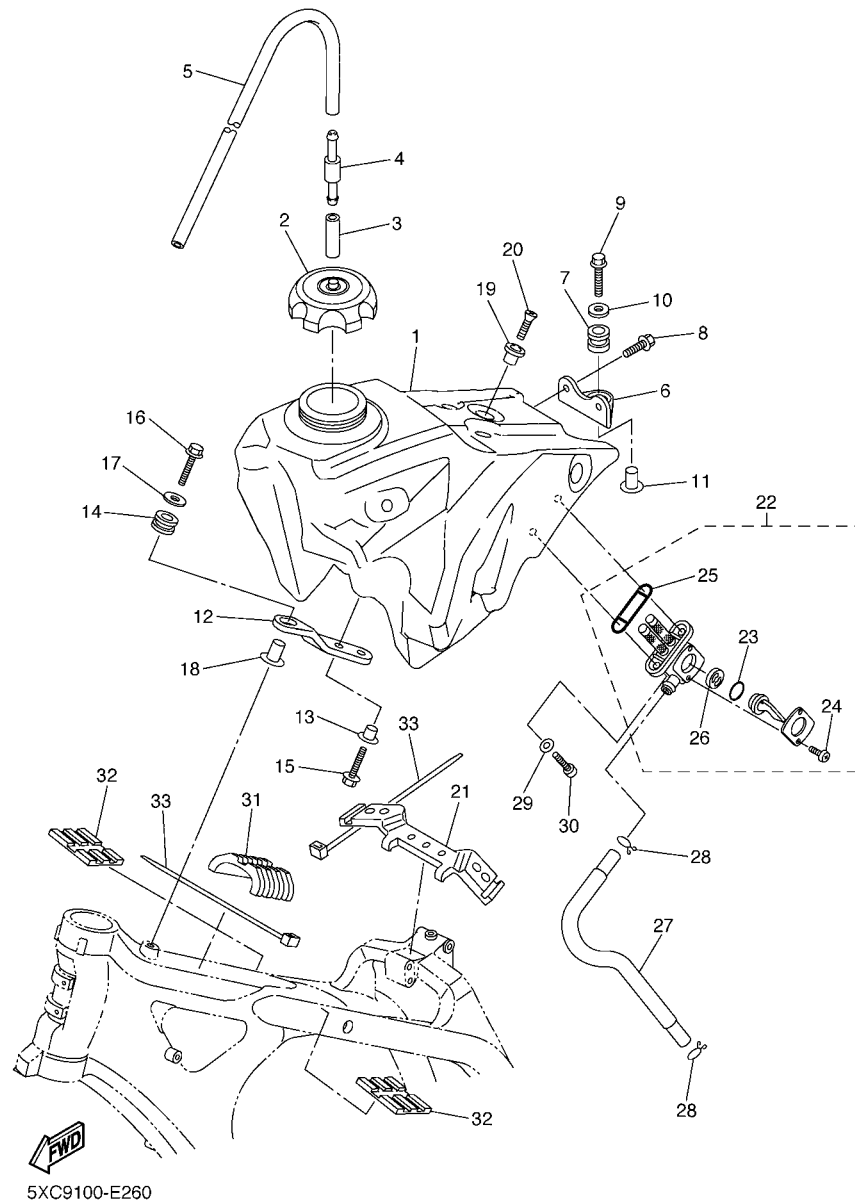


FIG. 27 FUEL TANK

REF. NO.	PART NO.	DESCRIPTION	2S2B	2S2C	2S2D	2S2E	REMARKS
1	2S2-24110-70	FUEL TANK COMP.	1	1	1	1	
2	5NY-24610-00	CAP ASSY	1	1	1	1	
3	90445-09220	HOSE (L30)	1	1	1	1	
4	3XJ-24380-00	PIPE JOINT ASSY	1	1	1	1	
5	90445-09251	HOSE (L350)	1	1	1	1	
6	5XE-24144-00	HOLDER, DAMPER	1	1	1	1	
7	90480-18549	GROMMET	1	1	1	1	
8	90105-06107	BOLT, FLANGE	2	2	2	2	
9	90105-06111	BOLT, FLANGE	1	1	1	1	
10	90201-06570	WASHER, PLATE	1	1	1	1	
11	3JD-24186-00	WASHER, SPECIAL	1	1	1	1	
12	5XC-2419A-90	HOLDER	1	1	1	1	
13	90387-06090	COLLAR	2	2	2	2	
14	5XC-24339-90	GROMMET	1	1	1	1	
15	90105-06107	BOLT, FLANGE	2	2	2	2	
16	90105-06111	BOLT, FLANGE	1	1	1	1	
17	90201-06570	WASHER, PLATE	1	1	1	1	
18	90387-06065	COLLAR	1	1	1	1	
19	4EW-2412F-00	BRACKET, SEAT	1	1	1	1	
20	98702-06025	SCREW, FLAT HEAD	1	1	1	1	
21	5XC-24181-90	DAMPER, LOCATING 1	1	1	1	1	
22	4JT-24500-10	FUEL COCK ASSY 1	1	1	1	1	
23	3AJ-24534-01	.SEAL, COCK	1	1	1	1	
24	98502-03008	.SCREW, PAN HEAD	2	2	2	2	
25	4X8-24512-00	.O-RING	1	1	1	1	
26	3AC-24523-00	.VALVE PACKING	1	1	1	1	
27	2S2-24311-00	PIPE, FUEL 1	1	1	1	1	



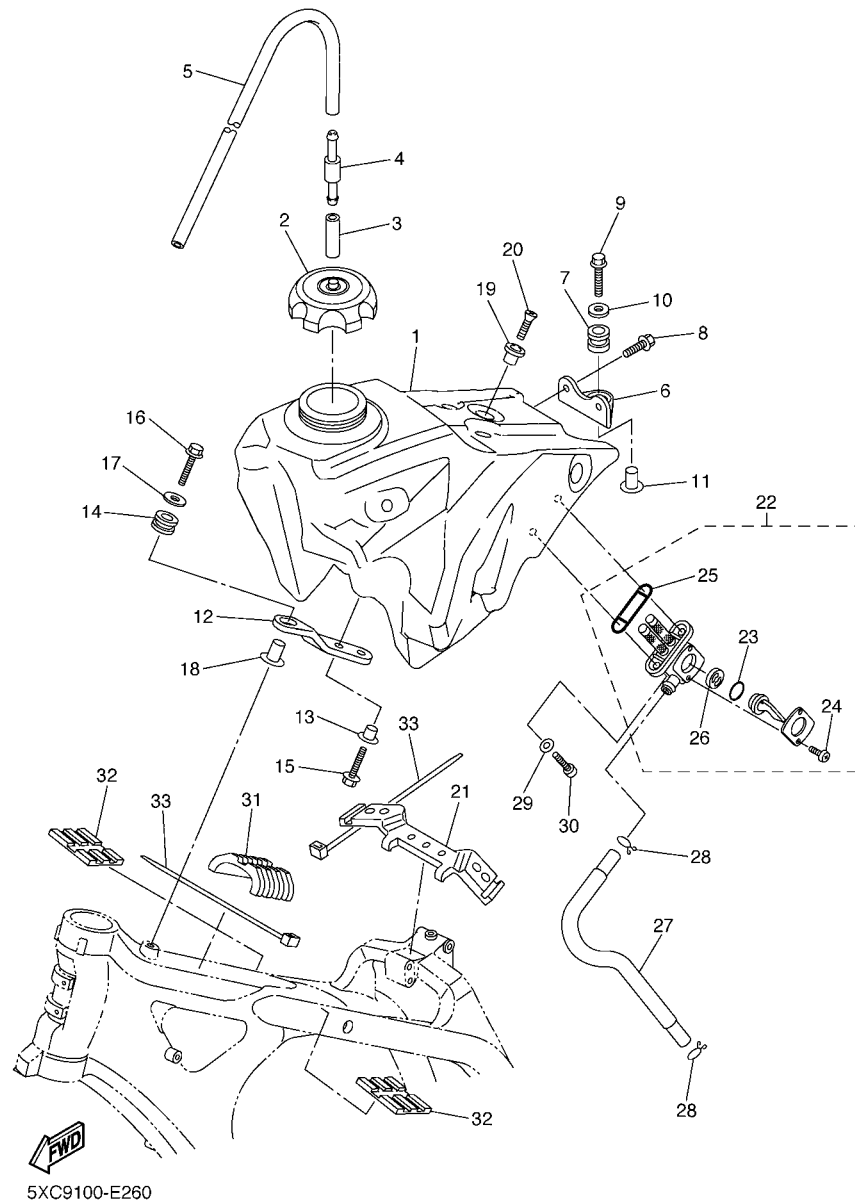
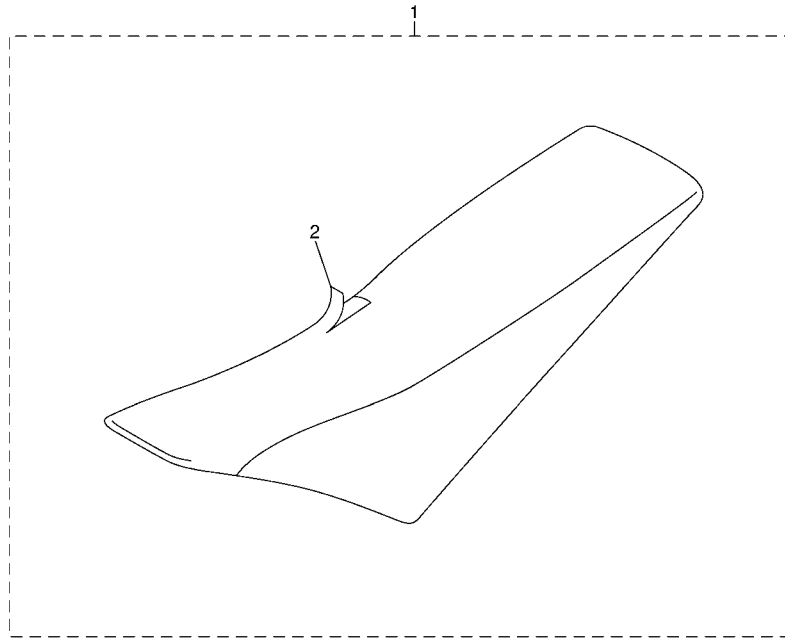


FIG. 27 FUEL TANK

REF. NO.	PART NO.	DESCRIPTION	2S2B	2S2C	2S2D	2S2E	REMARKS
28	90467-100A1	CLIP	2	2	2	2	
29	90202-05193	WASHER, PLATE	2	2	2	2	
30	90149-06108	SCREW	2	2	2	2	
31	5XC-24182-90	DAMPER, LOCATING 2	1	1	1	1	
32	5XC-24183-90	DAMPER, LOCATING 3	2	2	2	2	
33	90465-13275	CLAMP	3	3	3	3	
-----							
-----							
-----							
-----							
-----							
-----							
-----							
-----							
-----							
-----							

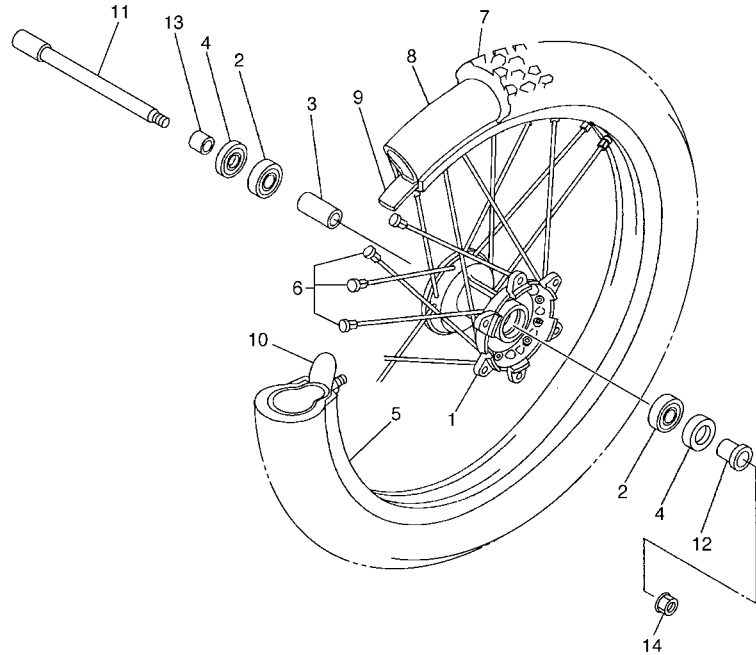
**FIG. 28 SEAT**



REF. NO.	PART NO.	DESCRIPTION	2S2B	2S2C	2S2D	2S2E	REMARKS
1	2S2-24710-70	SINGLE SEAT ASSY	1		1	1	UR FOR DPBSE
	2S2-24710-80	SINGLE SEAT ASSY	1			1	UR FOR PWS1
	5XC-24710-A0	SINGLE SEAT ASSY		1			UR FOR DPBSE
	5XC-24710-B0	SINGLE SEAT ASSY		1			UR FOR PWS1
2	5XC-2470F-90	.SEAT COVER COMP.	1		1	1	UR FOR DPBSE
	2S2-2470F-80	.SEAT COVER COMP.	1			1	UR FOR PWS1
	5XC-2470F-A0	.SEAT COVER COMP.		1			UR FOR DPBSE
	5XC-2470F-B0	.SEAT COVER COMP.		1			UR FOR PWS1

  
5XC9100-E270

FIG. 29 FRONT WHEEL

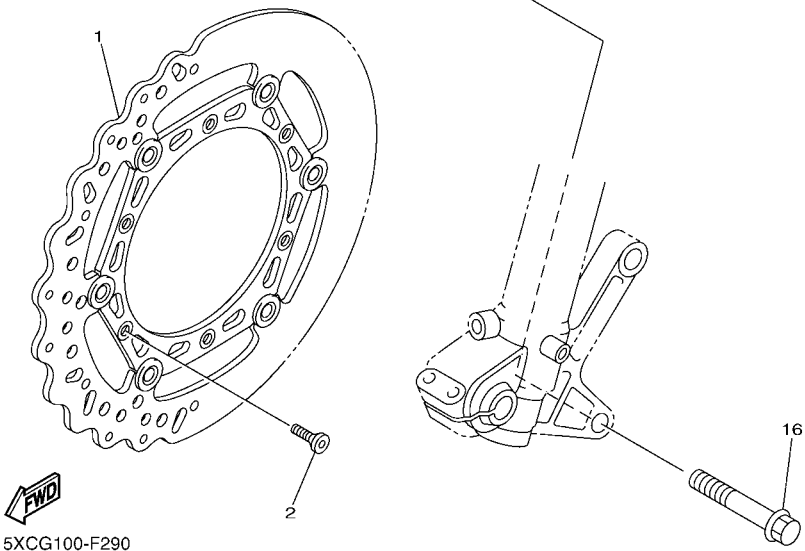
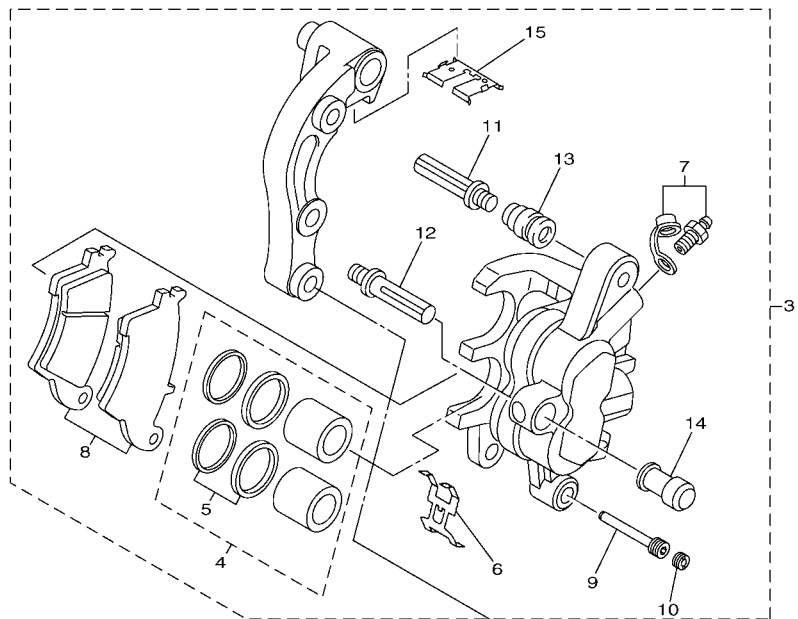


REF. NO.	PART NO.	DESCRIPTION	2S2B	2S2C	2S2D	2S2E	REMARKS
1	5NY-25111-00	HUB, FRONT	1	1	1	1	
2	93306-90409	BEARING	2	2	2	2	
3	5NY-25117-00	SPACER, BEARING	1	1	1	1	
4	93102-26468	OIL SEAL	2	2	2	2	
5	94416-21034	RIM (1.60-21)	1	1	1	1	UR FOR DPBSE
	94416-21040	RIM (1.60-21)	1	1	1	1	UR FOR PWS1
6	5NY-25104-00	SPOKE SET, FRONT	1	1	1	1	
7	94108-21025	TIRE (80/100-21 51M D742FA)	1			1	DUNLOP
	*	TIRE(80/100-21 51M M601)				1	LM BRIDGESTONE
	*	TIRE (80/100-21 51R MST)				1	LM PIRELLI
8	94227-21101	TUBE (80/100-21 M/C TR4)	1			1	DUNLOP
	*	TUBE (80/100-21)				1	LM PIRELLI
	*	TUBE (80/100-21 M/C TR4)				1	LM BRIDGESTONE
9	94309-21161	BAND, RIM (1.60-21)	1			1	DUNLOP
	*	BAND, RIM (80/100-21)				1	LM PIRELLI
	*	BAND,RIM (1.60-21)				1	LM BRIDGESTONE
10	5SF-25394-00	SPACER, BEAD	1	1	1	1	
11	5XC-25181-G0	AXLE, WHEEL	1	1	1	1	
12	5XC-25186-G0	COLLAR, WHEEL	1	1	1	1	
13	5XC-25183-G0	COLLAR, WHEEL	1	1	1	1	
14	90179-16011	NUT	1	1	1	1	

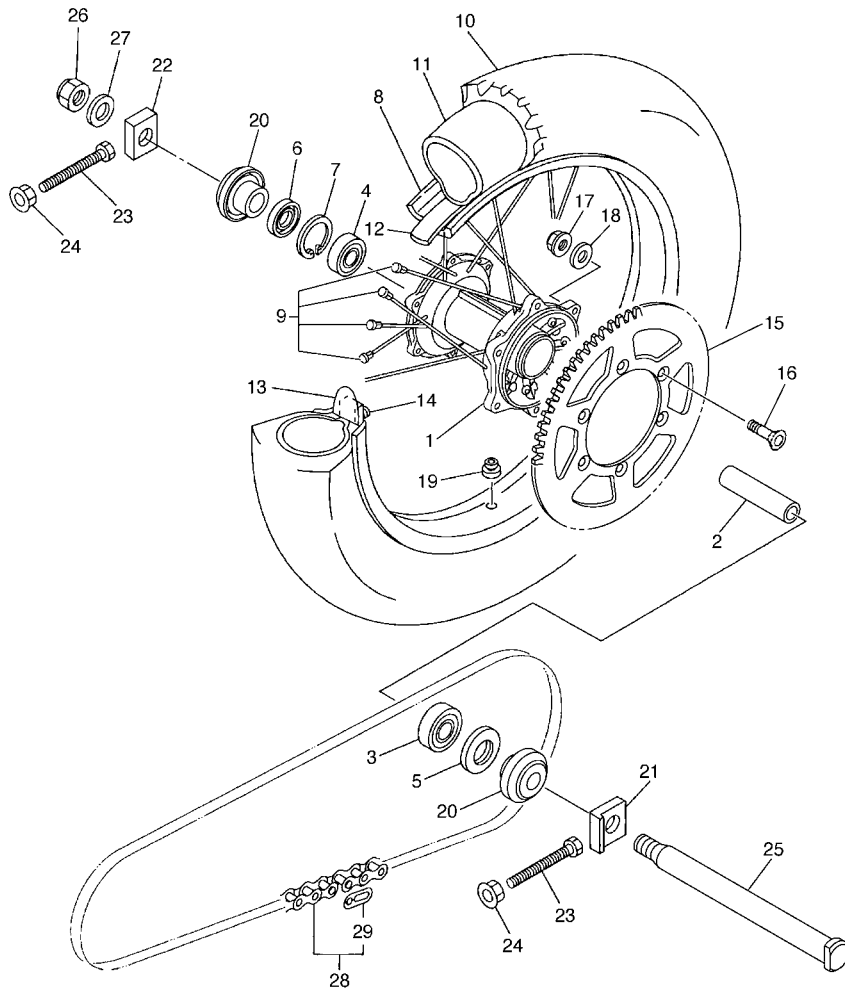


5XD5100-D280

**FIG. 30 FRONT BRAKE CALIPER**



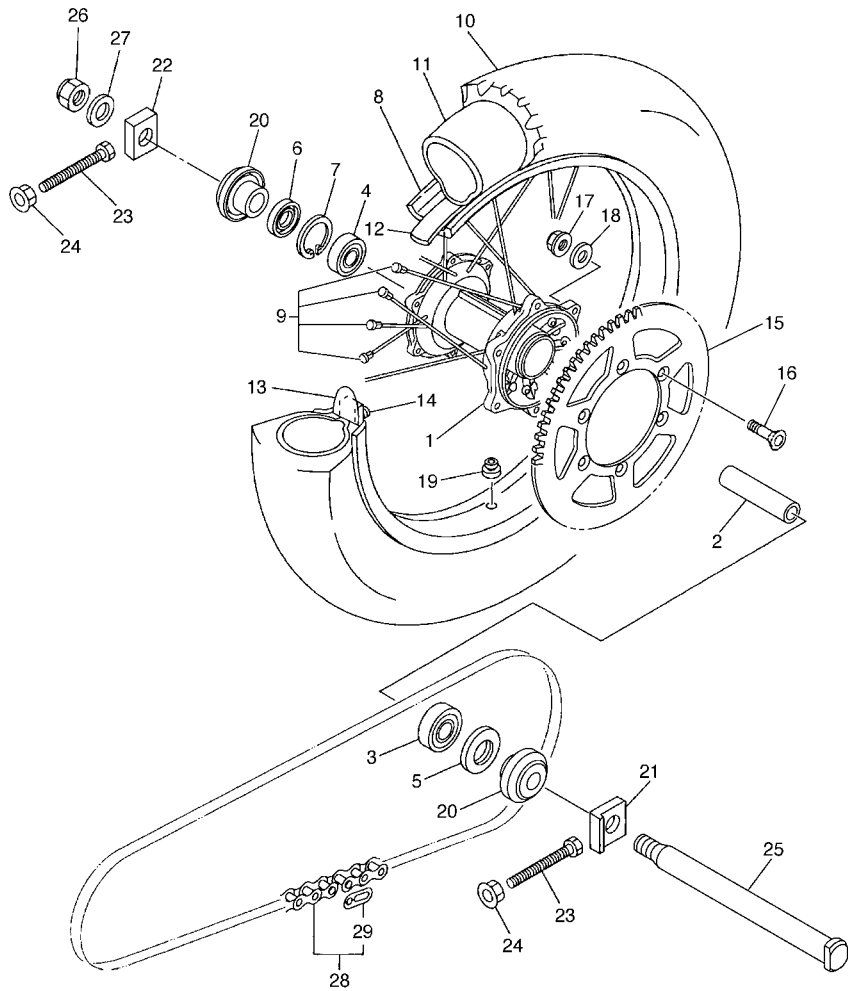
REF. NO.	PART NO.	DESCRIPTION	2S2B	2S2C	2S2D	2S2E	REMARKS
1	5XC-2581T-G0	DISK BRAKE ASSY	1	1	1	1	
2	90151-06051	SCREW, COUNTERSUNK	6	6	6	6	
3	5XC-2580T-G0	CALIPER ASSY (LEFT)	1	1	1	1	
4	5XC-W0057-00	.PISTON ASSY, CALIPER	1	1	1	1	
5	5KM-W0047-10	..CALIPER SEAL KIT	1	1	1	1	
6	5DH-25919-00	..SUPPORT, PAD	1	1	1	1	
7	1UY-W0048-50	.BLEED SCREW KIT	1	1	1	1	
8	5XC-W0045-00	.BRAKE PAD KIT	1	1	1	1	
9	5DH-25933-00	.PIN, PAD	1	1	1	1	
10	5DH-25916-00	.PLUG	1	1	1	1	
11	3SP-25926-51	.BOLT	1	1	1	1	
12	3SP-25914-51	.PIN, SLIDE	1	1	1	1	
13	3JD-25917-00	.BOOT, CALIPER	1	1	1	1	
14	1UY-25937-51	.BOOT 2	1	1	1	1	
15	5XC-25849-G0	.RETAINER, CALIPER	1	1	1	1	
16	90105-08137	BOLT, FLANGE	2	2	2	2	



5XC9100-E300

FIG. 31 REAR WHEEL

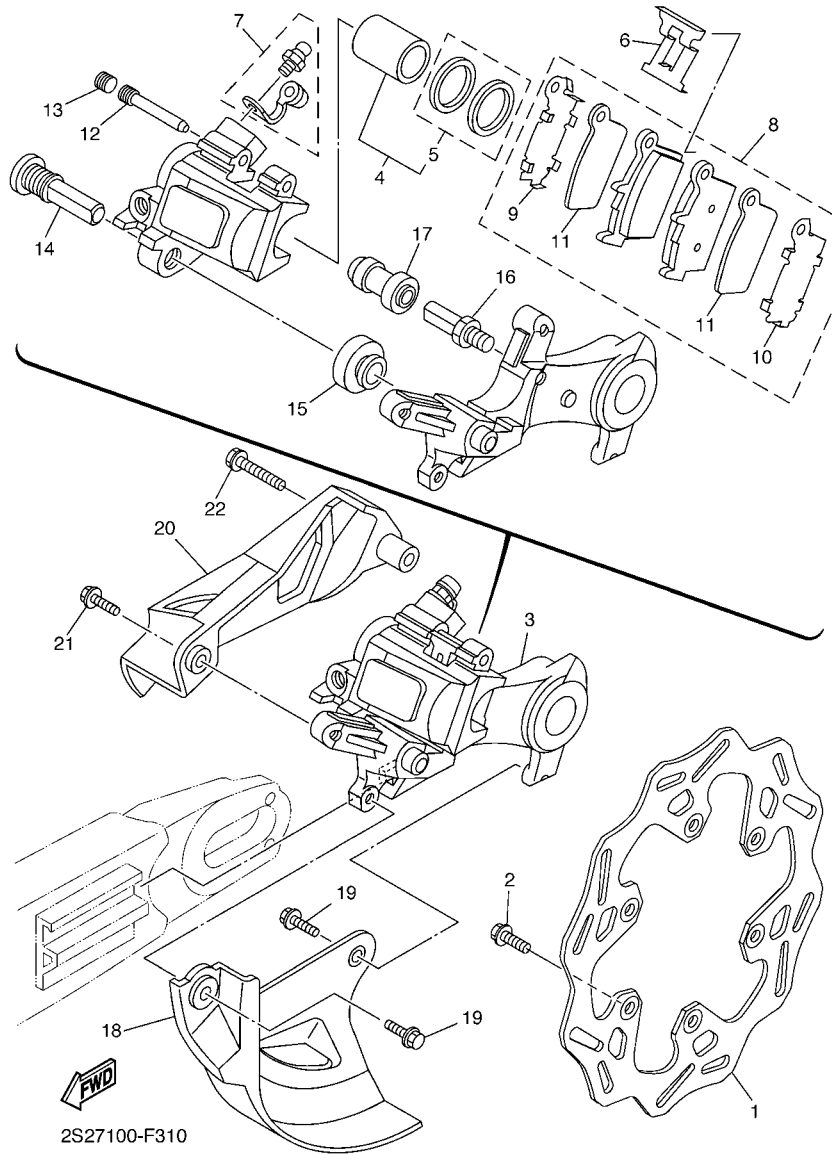
REF. NO.	PART NO.	DESCRIPTION	2S2B	2S2C	2S2D	2S2E	REMARKS
1	5ET-25311-00	HUB, REAR	1	1	1	1	
2	5ET-25317-00	SPACER, BEARING	1	1	1	1	
3	93306-27212	BEARING	1	1	1	1	
4	93306-07202	BEARING	1	1	1	1	
5	93106-30001	OIL SEAL	1	1	1	1	
6	93106-30045	OIL SEAL	1	1	1	1	
7	99009-45500	CIRCLIP	1	1	1	1	
8	94421-19005	RIM (2.15-19)	1	1	1	1	UR FOR DPBSE
	94421-19006	RIM (2.15-19)	1	1		1	UR FOR PWS1
9	5HD-25304-00	SPOKE SET, REAR	1	1	1	1	
10	94112-19008	TIRE (120/80-19 63M D756)	1			1	DUNLOP
	*	TIRE (110/90-19 62M NHS)		1			LM PIRELLI
	*	TIRE (110/90-19 62M M602)			1		LM BRIDGESTONE
11	94211-19273	TUBE (110/90-19 M/C TR4)	1			1	DUNLOP
	*	TUBE (110/90-19)		1			LM PIRELLI
	*	TUBE (110/90-19 M/C TR4)			1		LM BRIDGESTONE
12	94311-19155	BAND, RIM (2.15-19)	1			1	DUNLOP
	*	BAND, RIM (3.50-18)		1			LM METZELER
	*	BAND, RIM (2.15-19)			1		LM BRIDGESTONE
13	3JE-25394-00	SPACER, BEAD	1	1	1	1	
14	4XM-25364-00	DAMPÉR	1	1	1	1	
15	1C3-25449-00	SPROCKET, DRIVEN (49T)	1	1	1	1	STD
	1C3-25447-00	SPROCKET, DRIVEN (47T)	1	1	1	1	AP
	1C3-25448-00	SPROCKET, DRIVEN (48T)	1	1	1	1	AP
	1C3-25450-00	SPROCKET, DRIVEN (50T)	1	1	1	1	AP
	1C3-25451-00	SPROCKET, DRIVEN (51T)	1	1	1	1	AP
	1C3-25452-00	SPROCKET, DRIVEN (52T)	1	1	1	1	AP



5XC9100-E300

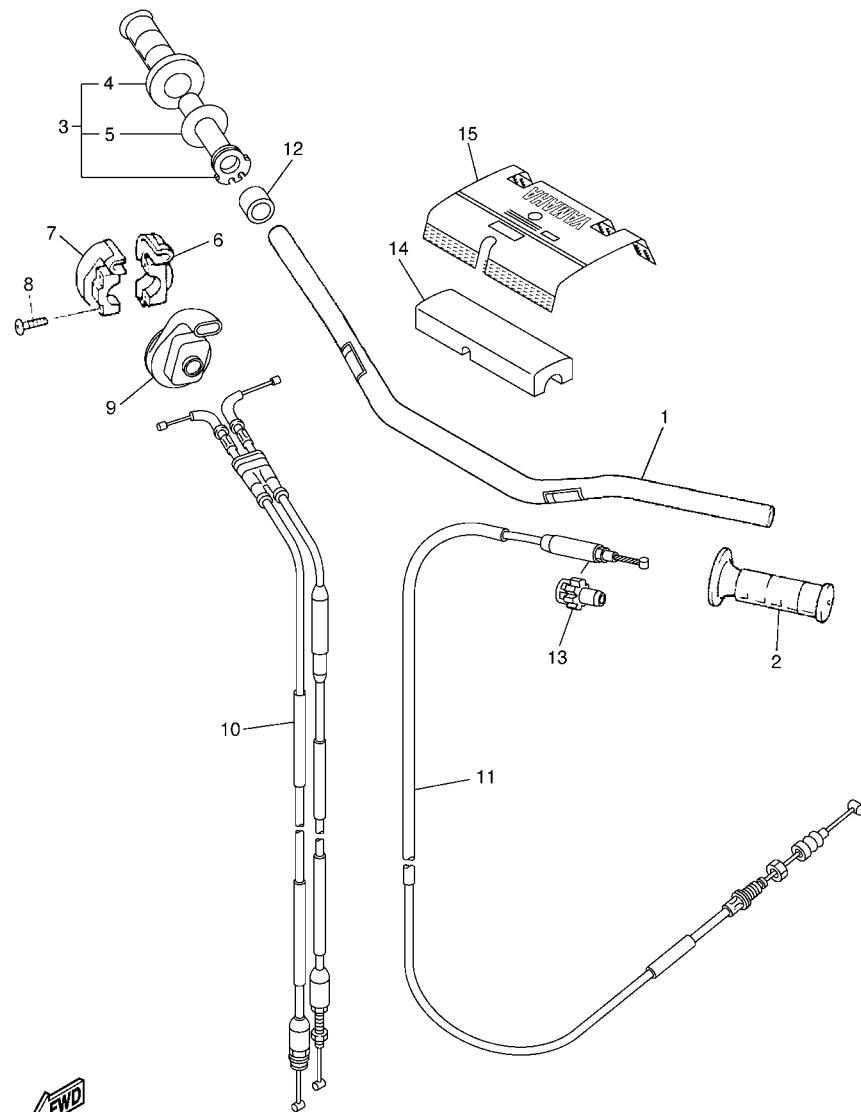
FIG. 31 REAR WHEEL

REF. NO.	PART NO.	DESCRIPTION	2S2B	2S2C	2S2D	2S2E	REMARKS
16	90109-08078	BOLT	6	6	6	6	
17	90185-08008	NUT, SELF-LOCKING	6	6	6	6	
18	90201-08048	WASHER, PLATE	6	6	6	6	
19	90480-08608	GROMMET	1	1	1	1	
20	5TJ-2530S-80	COLLAR ASSY	2	2	2	2	
21	1C3-25388-50	PULLER, CHAIN 1	1	1	1	1	
22	1C3-25389-00	PULLER, CHAIN 2	1	1	1	1	
23	90101-08006	BOLT	2	2	2	2	
24	90179-08019	NUT	2	2	2	2	
25	1C3-25381-90	AXLE, WHEEL	1	1	1	1	
26	90185-20002	NUT, SELF-LOCKING	1	1	1	1	
27	90201-20020	WASHER, PLATE	1	1	1	1	
28	9Y581-92113	CHAIN (DID 520D 114L)	1	1	1	1	
29	94681-68001	.JOINT,CHAIN (DID 520DM-RJ)	1	1	1	1	



**FIG. 32 REAR BRAKE CALIPER**

REF. NO.	PART NO.	DESCRIPTION	2S2B	2S2C	2S2D	2S2E	REMARKS
1	2S2-2582W-70	DISK, REAR BRAKE 2	1	1	1	1	
2	90105-06108	BOLT, FLANGE	6	6	6	6	
3	1C3-2580W-51	CALIPER ASSY, REAR 2	1		1	1	
	1C3-2580W-71	CALIPER ASSY, REAR 2		1			
4	5UN-W0057-50	.PISTON ASSY, CALIPER	1	1	1	1	
5	5UN-W0047-50	..CALIPER SEAL KIT	1	1	1	1	
6	5DH-25919-50	.SUPPORT, PAD	1	1	1	1	
7	1UY-W0048-50	.BLEED SCREW KIT	1	1	1	1	
8	1C3-W0046-50	.BRAKE PAD KIT 2	1		1	1	
	1C3-W0046-B0	.BRAKE PAD KIT 2		1			
9	5UN-25828-60	..SHIM, CALIPER	1	1	1	1	
10	5UN-25827-60	..SHIM, CALIPER	1	1	1	1	
11	5UN-22898-60	..INSULATOR, HEAT	2	2	2	2	
12	8CR-25924-00	.PIN, PAD	1	1	1	1	
13	5DH-25916-00	.PLUG	1	1	1	1	
14	5DH-25914-50	.PIN, SLIDE	1	1	1	1	
15	3JD-25917-00	.BOOT, CALIPER	1	1	1	1	
16	5UN-25914-00	.PIN, SLIDE	1	1	1	1	
17	1UY-25937-51	.BOOT 2	1	1	1	1	
18	1C3-25718-50	PROTECTOR, DISK BRAKE	1	1	1	1	
19	90105-06110	BOLT, FLANGE	2	2	2	2	
20	1C3-27491-50	PROTECTOR	1	1	1	1	
21	90105-06107	BOLT, FLANGE	1	1	1	1	
22	90105-06111	BOLT, FLANGE	1	1	1	1	

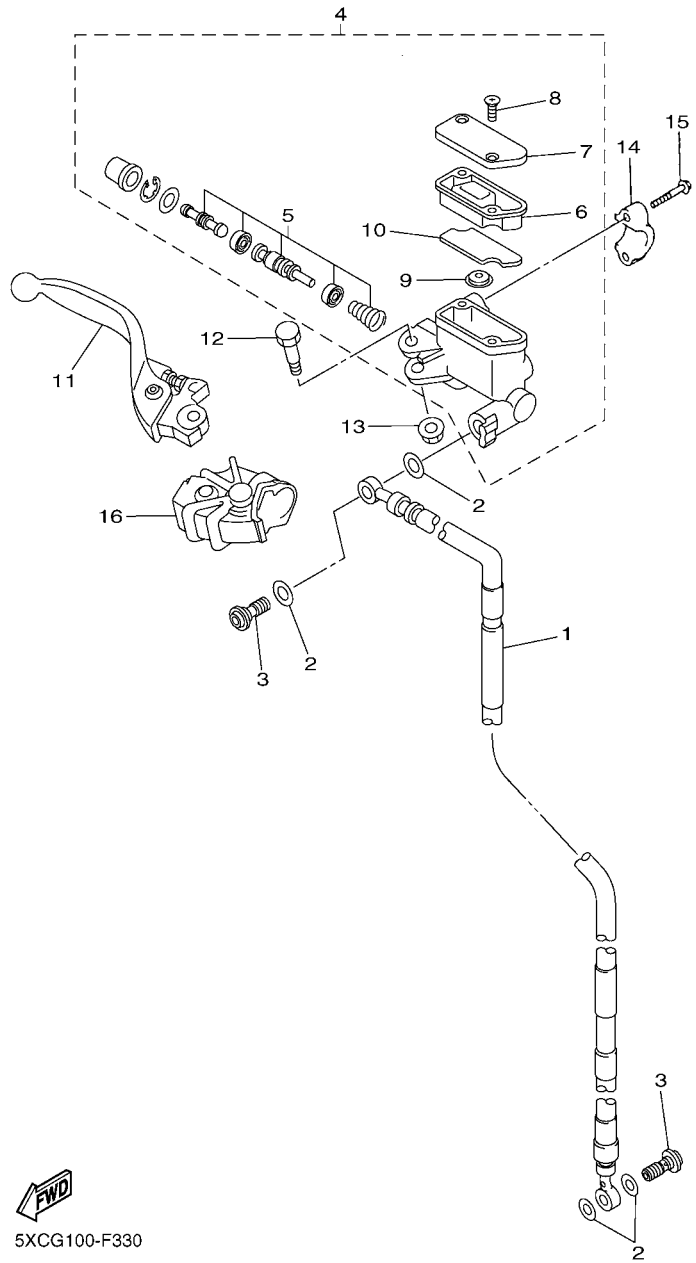


5XC9100-E320

FIG. 33 STEERING HANDLE & CABLE

REF. NO.	PART NO.	DESCRIPTION	2S2B	2S2C	2S2D	2S2E	REMARKS
1	5XC-26111-L0	HANDLEBAR	1	1	1	1	
2	4GY-26241-00	GRIP	1	1	1	1	
3	5TJ-26240-C0	GRIP ASSY	1	1	1	1	
4	4GY-26242-00	.GRIP (RIGHT)	1	1	1	1	
5	3Y1-26249-00	.RING, LEAF	1	1	1	1	
6	5BE-26281-00	CAP, GRIP UPPER	1	1	1	1	
7	5BE-26282-00	CAP, GRIP LOWER	1	1	1	1	
8	98502-05020	SCREW, PAN HEAD	2	2	2	2	
9	5SF-26287-10	COVER, CAP GRIP	1	1	1	1	
10	2S2-26302-00	THROTTLE CABLE ASSY	1	1	1	1	
11	2S2-26335-70	CABLE, CLUTCH	1	1	1	1	
12	90387-225N2	COLLAR	1	1	1	1	
13	1C3-26342-50	BOOT, CABLE	1	1	1	1	
14	5XC-26124-90	PROTECTOR, HANDLEBAR	1	1	1	1	
15	5XC-26143-L0	COVER, HANDLEBAR UPPER 1	1	1	1	1	UR FOR DPBSE
	5XC-26143-M0	COVER, HANDLEBAR UPPER 1	1	1		1	UR FOR PWS1



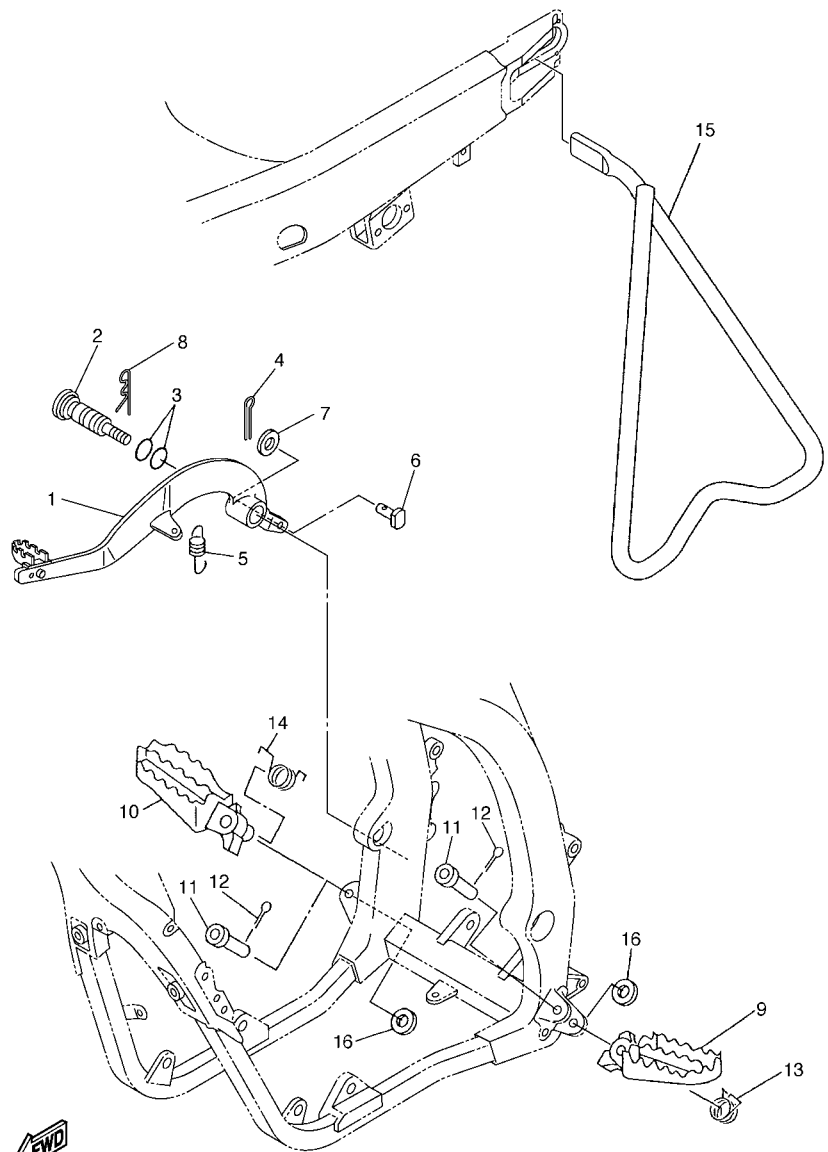


**FWD**  
5XCG100-F330

**FIG. 34 FRONT MASTER CYLINDER**

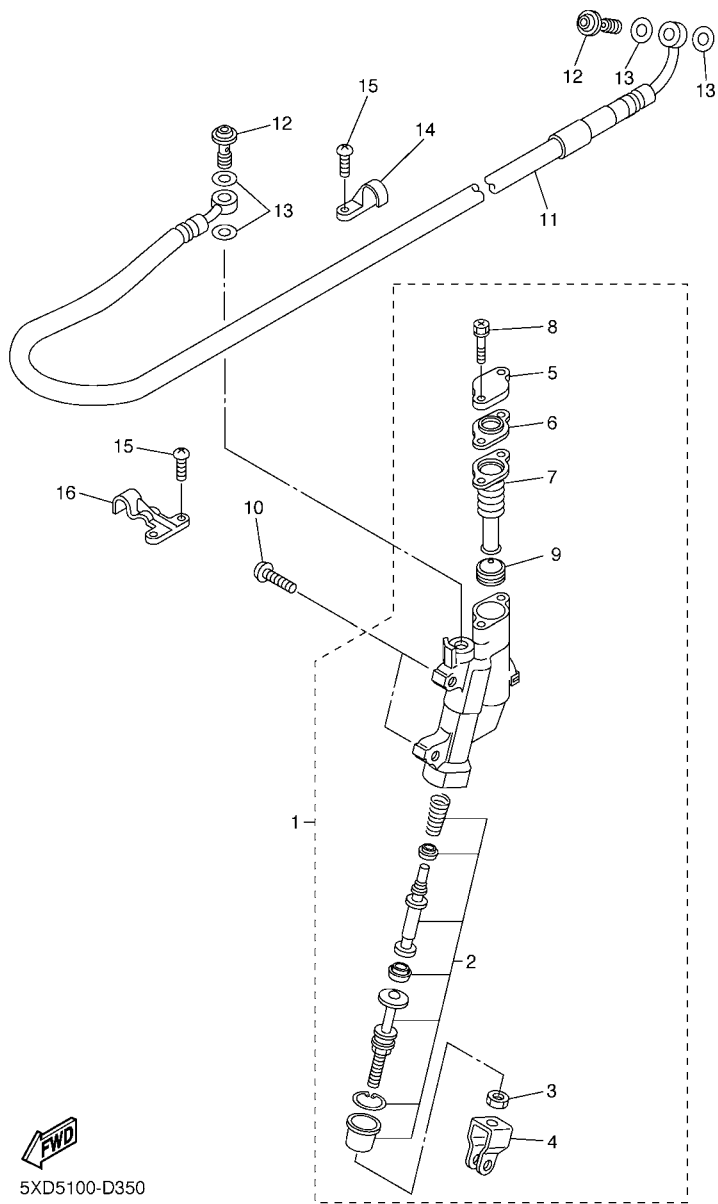
REF. NO.	PART NO.	DESCRIPTION	2S2B	2S2C	2S2D	2S2E	REMARKS
1	5XC-25872-L0	HOSE, BRAKE 1	1	1	1	1	
2	90430-10005	GASKET	4	4	4	4	
3	90401-10172	BOLT, UNION	2	2	2	2	
4	5XC-W2587-00	MASTER CYLINDER SUB ASSY	1	1	1	1	
5	5XC-W0041-00	.CYLINDER KIT, MASTER	1	1	1	1	
6	5XC-25854-G0	.DIAPHRAGM, RESERVOIR	1	1	1	1	
7	5XC-25852-G0	.CAP, RESERVOIR	1	1	1	1	
8	98706-04012	.SCREW, FLAT HEAD	2	2	2	2	
9	5CG-25715-00	.SEPARATOR ASSY	1	1	1	1	
10	5XC-25853-G0	.FLOAT, RESERVOIR	1	1	1	1	
11	5XC-83922-L0	LEVER 2	1	1	1	1	
12	5MV-2589F-00	BOLT, LEVER	1	1	1	1	
13	95701-06500	NUT, WITH WASHER	1	1	1	1	
14	5MV-25867-00	BRACKET, MASTER CYLINDER	1	1	1	1	
15	5MV-25833-00	BOLT, FITTING	2	2	2	2	
16	5XC-26372-G0	COVER, HANDLE LEVER 1	1	1	1	1	

FIG. 35 STAND & FOOTREST



2S21100-E340

REF. NO.	PART NO.	DESCRIPTION	2S2B	2S2C	2S2D	2S2E	REMARKS
1	2S2-27200-10	PEDAL, BRAKE	1	1	1	1	
2	1C3-27217-10	BOLT	1	1	1	1	
3	93210-11073	O-RING	2	2	2	2	
4	91402-20012	PIN, COTTER	1	1	1	1	
5	90506-16007	SPRING, TENSION	1	1	1	1	
6	90240-08120	PIN, CLEVIS	1	1	1	1	
7	90201-08044	WASHER, PLATE	1	1	1	1	
8	90468-16001	CLIP	1	1	1	1	
9	5XC-27411-M0	FOOTREST 1	1	1	1	1	
10	5XC-27421-M0	FOOTREST 2	1	1	1	1	
11	90240-10004	PIN, CLEVIS	2	2	2	2	
12	91402-25015	PIN, COTTER	2	2	2	2	
13	90508-28015	SPRING, TORSION	1	1	1	1	
14	90508-28018	SPRING, TORSION	1	1	1	1	
15	1C3-27311-00	STAND, SIDE	1	1	1	1	
16	90201-10032	WASHER, PLATE	2	2	2	2	

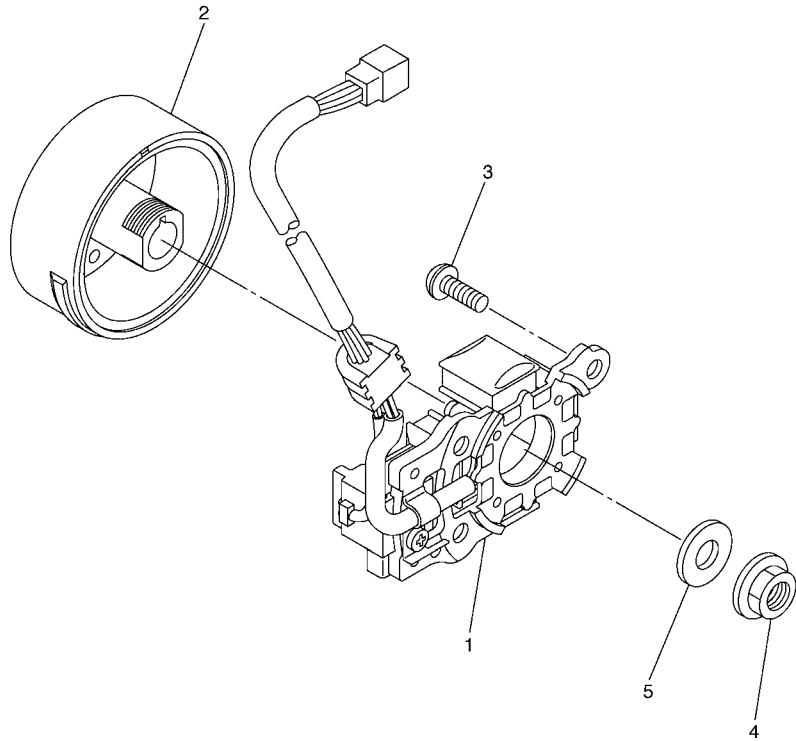


**FWD**  
5XD5100-D350


**FIG. 36 REAR MASTER CYLINDER**

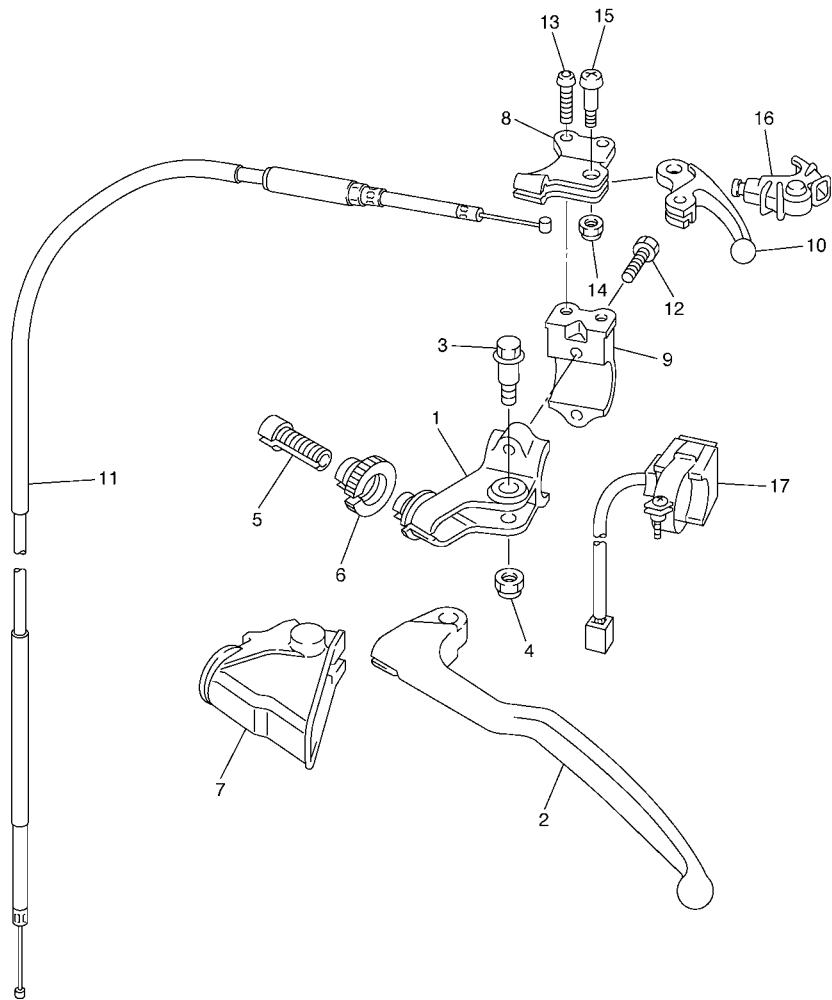
REF. NO.	PART NO.	DESCRIPTION	2S2B	2S2C	2S2D	2S2E	REMARKS
1	1C3-2583V-00	RR. MASTER CYLINDER ASSY.	1	1	1	1	
2	5UN-W0042-50	.CYLINDER KIT, MASTER	1	1	1	1	
3	5UN-27218-00	.NUT	1	1	1	1	
4	5UN-27222-00	.JOINT	1	1	1	1	
5	5UN-25852-50	.CAP, RESERVOIR	1	1	1	1	
6	5UN-2585B-00	.PLATE, DIAPHRAGM	1	1	1	1	
7	5UN-25854-00	.DIAPHRAGM, RESERVOIR	1	1	1	1	
8	5UN-27217-00	.BOLT	2	2	2	2	
9	5CG-25715-00	.SEPARATOR ASSY	1	1	1	1	
10	90111-06059	BOLT,HEX. SOCKET BUTTON	2	2	2	2	
11	5XC-25873-L0	HOSE, BRAKE 2	1	1	1	1	
12	90401-10172	BOLT, UNION	2	2	2	2	
13	90430-10005	GASKET	4	4	4	4	
14	1C3-25886-50	HOLDER, BRAKE HOSE	1	1	1	1	
15	98502-05010	SCREW, PAN HEAD	4	4	4	4	
16	1C3-25876-50	HOLDER, BRAKE HOSE 2	1	1	1	1	

**FIG. 37 GENERATOR**



REF. NO.	PART NO.	DESCRIPTION	2S2B	2S2C	2S2D	2S2E	REMARKS
1	2S2-85560-01	BASE ASSY	1	1	1	1	
2	2S2-85550-00	ROTOR ASSY	1	1	1	1	
3	90149-06081	SCREW	3	3	3	3	
4	90179-12657	NUT	1	1	1	1	
5	90201-127E1	WASHER, PLATE	1	1	1	1	
-----							
-----							
-----							
-----							
-----							
-----							
-----							
-----							
-----							

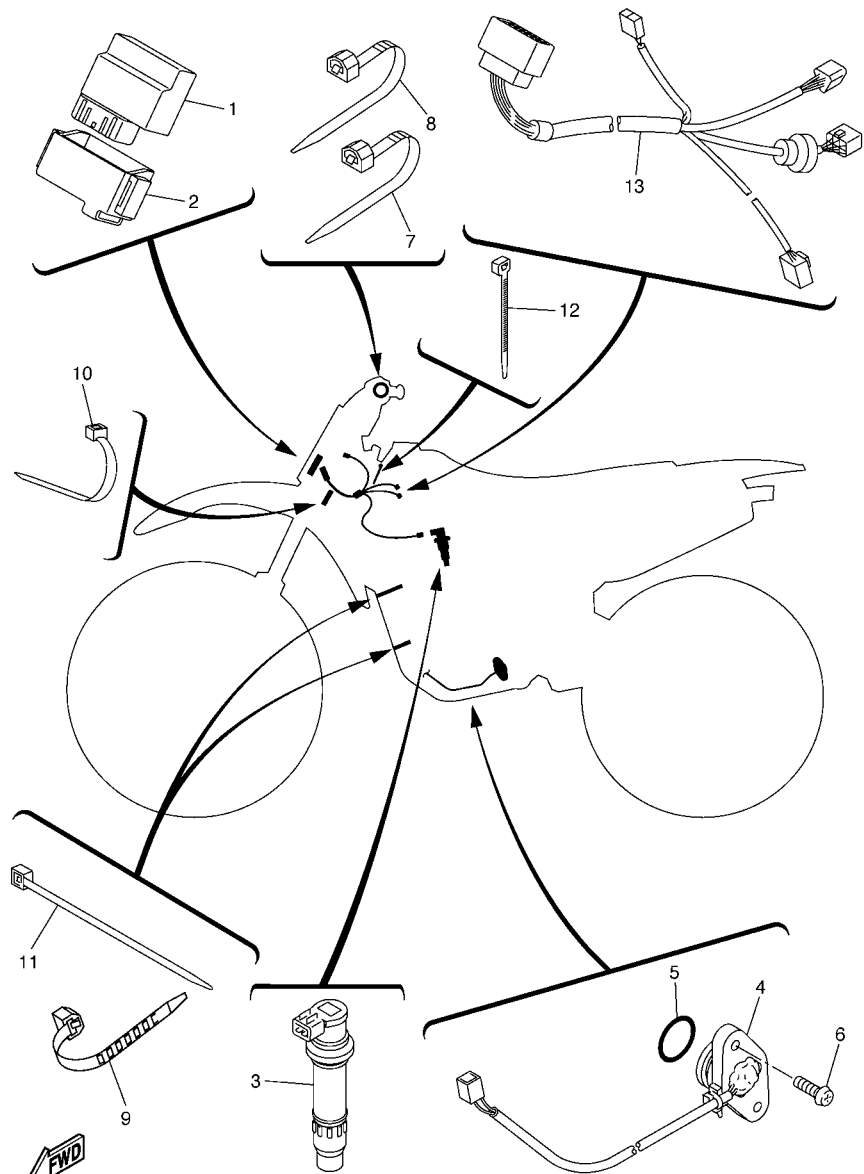
  
2S21100-E360



5XC9100-E370

FIG. 38 HANDLE SWITCH & LEVER

REF. NO.	PART NO.	DESCRIPTION	2S2B	2S2C	2S2D	2S2E	REMARKS
1	5XE-82911-00	HOLDER, LEVER 1	1	1	1	1	
2	5MV-83912-00	LEVER 1	1	1	1	1	
3	90109-06034	BOLT	1	1	1	1	
4	5LP-84126-10	NUT, LENS FITTING	1	1	1	1	
5	5HD-26337-00	BOLT, ADJUSTING	1	1	1	1	
6	5HD-83951-00	BOLT, CABLE ADJUSTING	1	1	1	1	
7	5HD-26372-00	COVER, HANDLE LEVER 1	1	1	1	1	
8	5XD-82946-00	HOLDER, STARTER LEVER	1	1	1	1	
9	5XD-82913-00	HOLDER, LEVER LOWER 1	1	1	1	1	
10	5TA-83941-00	LEVER, STARTER	1	1	1	1	
11	2S2-26334-00	CABLE, STARTER 2	1	1	1	1	
12	97002-05016	BOLT	2	2	2	2	
13	92012-05012	BOLT, BUTTON HEAD	2	2	2	2	
14	95602-05100	NUT, U	1	1	1	1	
15	90149-05162	SCREW	1	1	1	1	
16	5TA-26339-00	BOOT	1	1	1	1	
17	1C3-83976-00	SWITCH, HANDLE 1	1	1	1	1	

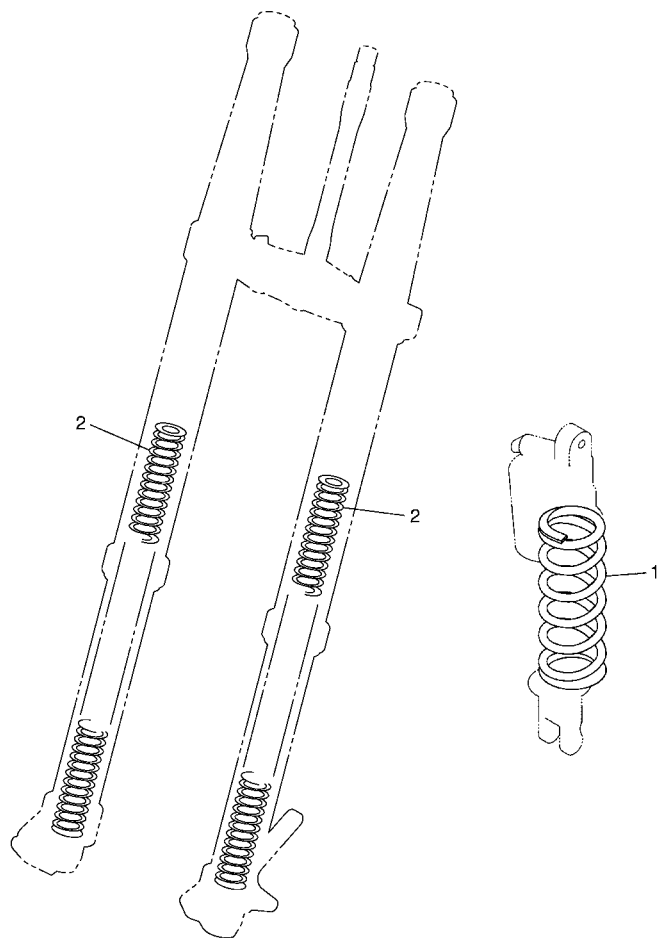


2S21100-E380

FIG. 39 ELECTRICAL 1

REF. NO.	PART NO.	DESCRIPTION	2S2B	2S2C	2S2D	2S2E	REMARKS
1	2S2-85540-B0	C.D.I. UNIT ASSY	1			1	
	2S2-85540-C0	C.D.I. UNIT ASSY		1	1		
2	1C3-85546-00	BAND	1	1	1	1	
3	5TA-82310-10	IGNITION COIL ASSY	1	1	1	1	
4	2S2-82540-00	NEUTRAL SWITCH ASSY	1	1	1	1	
5	93210-21001	O-RING	1	1	1	1	
6	90154-05022	SCREW, BINDING	2	2	2	2	
7	90464-13077	CLAMP	1	1	1	1	
8	90464-13073	CLAMP	1	1	1	1	
9	90464-15195	CLAMP	2	2	2	2	
10	5Y9-12491-00	CLAMP 1	1	1	1	1	
11	90465-13275	CLAMP	4	4	4	4	
12	90465-13275	CLAMP	1	1	1	1	
13	2S2-82509-01	WIRE, SUB LEAD	1	1	1	1	

**FIG. 40 ALTERNATE FOR CHASSIS**



REF. NO.	PART NO.	DESCRIPTION	2S2B	2S2C	2S2D	2S2E	REMARKS
1	5UN-22212-00	SPRING (K=42N/MM)	1	1	1	1	AP
	1C3-22212-00	SPRING (K=44N/MM)	1	1	1	1	AP
	1C3-22212-10	SPRING (K=46N/MM)	1	1	1	1	AP
	1C3-22212-20	SPRING (K=48N/MM)	1	1	1	1	AP
	1C3-22212-30	SPRING (K=50N/MM)	1	1	1	1	AP
	1C3-22212-40	SPRING (K=52N/MM)	1	1	1	1	AP
	1C3-22212-50	SPRING (K=54N/MM)	1	1	1	1	AP
	1C3-22212-60	SPRING (K=55.8N/MM)	1	1	1	1	AP
	5UN-22212-A0	SPRING (K=APPROX.44N/MM)	1	1	1	1	AP
	5UN-22212-B0	SPRING (K=APPROX.46N/MM)	1	1	1	1	AP
	5UN-22212-C0	SPRING (K=APPROX.48N/MM)	1	1	1	1	AP
	5UN-22212-D0	SPRING (K=APPROX.50N/MM)	1	1	1	1	AP
	5UN-22212-E0	SPRING (K=APPROX.52N/MM)	1	1	1	1	AP
	5UN-22212-F0	SPRING (K=APPROX.54N/MM)	1	1	1	1	AP
	5UN-22212-G0	SPRING (K=APPROX.56N/MM)	1	1	1	1	AP
2	1C3-23141-A1	SPRING, FRONT FORK(K=3.9N/MM)	2	2	2	2	AP
	1C3-23141-B1	SPRING, FRONT FORK(K=4.0N/MM)	2	2	2	2	AP
	1C3-23141-C1	SPRING, FRONT FORK(K=4.1N/MM)	2	2	2	2	AP
	1C3-23141-D1	SPRING, FRONT FORK(K=4.2N/MM)	2	2	2	2	AP
	1C3-23141-E1	SPRING, FRONT FORK(K=4.3N/MM)	2	2	2	2	AP
	1C3-23141-F1	SPRING, FRONT FORK(K=4.4N/MM)	2	2	2	2	AP
	1C3-23141-G1	SPRING, FRONT FORK(K=4.5N/MM)	2	2	2	2	AP
	1C3-23141-H1	SPRING, FRONT FORK(K=4.6N/MM)	2	2	2	2	AP
	1C3-23141-J1	SPRING, FRONT FORK(K=4.7N/MM)	2	2	2	2	AP



5XC9100-E390

NUMERICAL INDEX

PART NO.	GRID NO.	PART NO.	GRID NO.	PART NO.	GRID NO.	PART NO.	GRID NO.	PART NO.	GRID NO.	PART NO.	GRID NO.
2S2-11102-10	B - 2	3LD-12168-U1	B - 5	5NL-14105-00	C - 2	5JG-14565-00	C - 3	4MX-14943-39	B - 15	2S2-15421-10	C - 6
5TA-11133-10	B - 2	3LD-12168-W1	B - 5	4MX-14115-00	C - 3	5JG-14591-00	C - 3	4MX-14943-40	B - 15	2S2-15431-00	C - 8
5TA-11134-10	B - 2	3LD-12168-Y1	B - 5	3TJ-14137-40	B - 13	688-14592-00	B - 14	4MX-14943-41	B - 15	2S2-15441-00	B - 3
2S2-11166-00	B - 2	3LD-12169-11	B - 5		C - 3	2S2-14611-10	C - 5	4MX-14943-87	B - 15	2S2-15451-00	C - 8
371-11167-01	B - 2	3LD-12169-31	B - 6	5BE-14146-00	C - 3	2S2-14611-30	C - 4	4MX-14943-88	B - 15	5TA-15453-00	C - 8
2S2-11181-00	B - 2	3LD-12169-50	B - 6	5PA-14146-00	C - 3	3VD-14613-01	C - 4	4MX-14943-89	B - 15	2S2-15462-10	C - 8
2S2-11190-10	B - 2	3LD-12169-70	B - 6	5TA-14155-00	C - 2		C - 5	4MX-14943-90	B - 15	2S2-15601-00	C - 10
2S2-11193-00	B - 2	3LD-12169-90	B - 6	633-14159-00	C - 2	2S2-14628-00	C - 5	4MX-14943-91	B - 15	2S2-15620-01	C - 10
5UM-1119E-00	B - 2	3LD-12169-E0	B - 6	3TJ-14159-40	B - 14	5TA-14628-00	C - 4	4MX-14943-92	B - 15	5XD-15621-00	C - 10
2S2-11311-10	B - 2	3LD-12169-G0	B - 6	5XC-14171-00	C - 2	2S2-1466G-B0	C - 4	5XD-14947-00	B - 15	5TA-15651-00	C - 10
2S2-11351-00	B - 2	3LD-12169-J0	B - 6	3TJ-14191-40	C - 2	2S2-1466G-C0	C - 5	4MX-14948-02	B - 15	5GR-15664-00	C - 10
2S2-11400-00	B - 4	3LD-12169-L0	B - 6	5UL-14196-00	C - 3	2S2-1469A-10	C - 5	4MX-14948-03	B - 15	5SG-15668-00	C - 10
2S2-11412-00	B - 4	3LD-12169-N0	B - 6	5TA-14197-00	C - 3	2S2-1469E-00	C - 5	4MX-14948-04	B - 15	2S2-15671-00	C - 10
2S2-11422-00	B - 4	3LD-12169-T0	B - 6	5NX-14216-00	C - 3	2S2-1469F-00	C - 5	4MX-14948-05	B - 15	214-15686-00	C - 10
2S2-11454-10	B - 4	2S2-12170-00	B - 7	5TA-14227-00	B - 13	2S2-1469F-B0	C - 4	4MX-14948-06	B - 15	2S2-16111-60	C - 11
2S2-11455-00	B - 4	2S2-12180-00	B - 7	5TA-14239-00	B - 13	2S2-14714-00	C - 5	4MX-14948-07	B - 15	5XD-16150-60	C - 11
2S2-11464-10	B - 4	5TA-12210-10	B - 7	5TA-14261-00	C - 3	5VY-14714-00	C - 4	4MX-14948-08	B - 15	5XD-16154-00	C - 11
2S2-11531-00	B - 4	4FM-12213-00	B - 7	5JG-14264-00	B - 15	5BE-14747-00	C - 4	4JT-1494F-05	C - 2	5TA-16321-00	C - 11
2S2-11536-00	B - 4	5BE-12241-00	B - 2	3TJ-14267-40	B - 14		C - 5	4JT-1494F-07	C - 2	4X7-16325-00	C - 11
5JG-11603-00	B - 4	2S2-12251-00	B - 7	5JG-14275-00	B - 15	2S2-14750-B0	C - 4	4JT-1494F-09	B - 15	2S2-16351-00	C - 11
2S2-11631-20	B - 4	5TA-12252-00	B - 7	5TA-14293-00	B - 13	2S2-14750-C0	C - 5	4JT-1494F-11	C - 2	5JG-16356-00	C - 11
5TA-11633-00	B - 4	2S2-1240A-70	B - 9	3TJ-14293-40	C - 2	4BD-14766-00	C - 4	4JT-1494F-13	C - 2	2S2-16357-00	C - 11
2S2-11651-00	B - 4	5BE-12422-20	B - 8	5XD-14325-00	C - 3	2S2-14788-00	C - 4	3TJ-1494F-14	B - 15	5TA-16371-10	C - 11
5TG-11681-00	B - 4	5BE-12439-00	B - 8	5TA-14335-00	C - 2		C - 5	3TJ-1494F-15	B - 15	2S2-16380-10	C - 11
5TA-12111-00	B - 5	5DJ-12451-00	B - 8	5JG-14346-00	C - 3	2S2-1478H-B0	C - 4	3TJ-1494F-16	B - 15	2S2-17121-00	C - 12
5TA-12112-00	B - 5	5GR-12458-00	B - 8	5TA-14371-00	C - 2	5TA-14916-L1	B - 14	3TJ-1494F-17	B - 15	2S2-17131-00	C - 12
5TA-12113-00	B - 5	2S2-12461-70	B - 9	2S2-14374-00	C - 2	5TA-14916-LN	B - 14	3TJ-1494F-18	B - 15	2S2-17141-00	C - 12
5TA-12114-00	B - 5	22W-12462-00	B - 9	5JG-14379-00	C - 2	5TA-14916-LP	B - 14	5JG-14951-00	B - 14	2S2-17151-00	C - 12
4GY-12117-00	B - 5	2S2-12464-70	B - 9	2S2-14388-00	B - 14	5TA-14916-LR	B - 14	5JG-14959-00	B - 14	2S2-17211-00	C - 12
5BE-12117-00	B - 5	2S2-12481-00	B - 9	4MX-14392-00	C - 2	5TA-14916-LS	B - 14	5JG-14984-00	C - 2	2S2-17221-00	C - 12
1AA-12118-00	B - 5	1C3-12482-00	B - 9	2S2-14401-70	B - 13	5TA-14916-LT	B - 14	4SR-14985-00	C - 2	2S2-17231-00	C - 12
1WG-12118-00	B - 5	2S2-12482-00	B - 9	5XC-14417-90	B - 13	5TA-14916-LU	B - 14	5TA-14987-00	B - 13	2S2-17241-00	C - 12
33M-12119-00	B - 5	5Y9-12491-00	E - 15	5NY-14442-00	B - 13	5TA-14916-P1	B - 14	5TJ-14987-00	C - 3	2S2-17251-00	C - 12
4SV-12119-00	B - 5	5BE-12564-00	B - 8	4XM-14451-00	B - 13	5TA-14916-PN	B - 14	5TA-14991-00	C - 2	2S2-17402-00	C - 12
5TA-12121-00	B - 5	2S2-12576-00	B - 9	2S2-14453-10	B - 13	5TA-14916-PP	B - 14	4FN-14997-00	B - 14	2S2-17411-00	C - 12
3GM-12126-00	B - 5	2S2-12578-00	B - 9	5NY-14455-20	B - 13	5TA-14916-PR	B - 14	5TA-14997-00	C - 2	2S2-17466-00	C - 6
3FV-12153-10	B - 6	2S2-12579-00	B - 9	5BE-14458-00	B - 13	5TA-14916-PS	B - 14	2S2-15100-20	C - 6	2S2-17471-00	C - 13
3LD-12168-00	B - 5	583-13113-00	C - 9	5NY-14459-00	B - 13	5TA-14916-PT	B - 14	2S2-15155-10	C - 6	2S2-18101-00	C - 15
3LD-12168-20	B - 5	2S2-13300-10	B - 11	5JG-14521-00	B - 14	5TA-14916-PU	B - 14	3Y1-15363-00	C - 8	2S2-18110-00	C - 15
3LD-12168-40	B - 5	5TA-13320-00	B - 11	5JG-14522-00	B - 14	5XC-14922-00	C - 3	2S2-1536A-00	C - 6	5MW-18122-01	C - 15
3LD-12168-60	B - 5	2S2-13341-00	B - 11	5JG-14531-00	C - 3	3TJ-14933-40	C - 2	5XC-15373-00	C - 6	2S2-18140-10	C - 14
3LD-12168-80	B - 5	2S2-13342-00	B - 11	3TJ-14536-40	C - 2	5TA-14934-00	C - 3		C - 8	5TJ-18172-00	C - 15
3LD-12168-A0	B - 5	5BE-13411-00	B - 11	5JG-14546-01	B - 14	5JG-14940-16	C - 2	2S2-15378-00	C - 8	3XJ-18173-10	C - 15
3LD-12168-F0	B - 5	2S2-13412-00	B - 11	676-14548-00	C - 2	5JG-14940-17	C - 2	4JT-15381-01	C - 6	3XJ-18178-00	C - 15
3LD-12168-H1	B - 5	5TA-13440-00	B - 12	4MX-14561-00	C - 3	5JG-14940-18	C - 2	5BE-15383-01	C - 6	3XJ-18182-00	C - 15
3LD-12168-K1	B - 5	5BE-13447-20	B - 12	6H4-14561-00	C - 2	2S2-14943-27	C - 2	2S2-15388-00	C - 6	3XJ-18184-00	C - 15
3LD-12168-M1	B - 5	2S2-13597-00	B - 13	5NX-14562-00	C - 3	4MX-14943-37	B - 15	2S2-15411-11	C - 8	2S2-18185-00	C - 15
3LD-12168-R1	B - 5	2S2-14101-B0	B - 14	3TJ-14564-40	C - 3	4MX-14943-38	B - 15	5TA-15415-20	C - 8	2S2-18501-00	C - 14



NUMERICAL INDEX

PART NO.	GRID NO.	PART NO.	GRID NO.	PART NO.	GRID NO.	PART NO.	GRID NO.	PART NO.	GRID NO.	PART NO.	GRID NO.
2S2-18502-00	C - 14	2S2-21730-70	D - 6	1C3-22212-20	F - 2	1C3-23141-E1	F - 2	5XC-24183-90	E - 2	5UN-25827-60	E - 8
5BE-18503-00	C - 14	5XC-21730-90	D - 6	1C3-22212-30	F - 2	1C3-23141-F1	F - 2	3JD-24186-00	D - 15	5UN-25828-60	E - 8
5NL-18541-00	C - 14	2S2-2173E-00	D - 6	1C3-22212-40	F - 2	1C3-23141-G1	F - 2	5XC-2419A-90	D - 15	2S2-2582W-70	E - 8
278-18542-00	C - 14	2S2-2173F-00	D - 6	1C3-22212-50	D - 10	1C3-23141-H1	F - 2	2S2-24311-00	D - 15	5MV-25833-00	E - 10
2S2-18562-00	C - 6	5XC-2173L-20	D - 6		F - 2	1C3-23141-J1	F - 2	5XC-24339-90	D - 15	1C3-2583V-00	E - 12
2S2-21101-80	D - 2	2S2-21740-70	D - 6	1C3-22212-60	F - 2	2S2-23141-L1	D - 12	3XJ-24380-00	D - 15	5XC-25849-G0	E - 5
2S2-21163-70	D - 3	5XC-21740-90	D - 6	5UN-22212-A0	F - 2	1C3-23142-L0	D - 12	4JT-24500-10	D - 15	5UN-25852-50	E - 12
5XC-21164-90	D - 3	2S2-2174A-C0	D - 6	1C3-22212-B0	D - 10	5XE-23144-L0	D - 12	4X8-24512-00	D - 15	5XC-25852-G0	E - 10
5PA-2118K-00	D - 4	5XC-2174L-20	D - 6	5UN-22212-B0	F - 2	1C3-23145-M0	D - 12	3AC-24523-00	D - 15	5XC-25853-G0	E - 10
5PA-2118K-10	D - 4	2S2-2174T-C0	D - 6	5UN-22212-C0	F - 2	5XC-23146-00	D - 12	3AJ-24534-01	D - 15	5UN-25854-00	E - 12
5PA-2118K-20	D - 4	2S2-21778-00	D - 2	5UN-22212-D0	F - 2	1AE-23147-00	D - 12	5NY-24610-00	D - 15	5XC-25854-G0	E - 10
5XC-21190-L0	D - 2	2S2-21779-00	D - 2	5UN-22212-E0	F - 2	1C3-23147-L0	D - 12	2S2-2470F-80	E - 3	5UN-2585B-00	E - 12
1C3-21244-10	D - 3	2S2-2177M-00	D - 2	5UN-22212-F0	F - 2	5XC-2314F-00	D - 12	5XC-2470F-90	E - 3	5MV-25867-00	E - 10
5XC-21274-90	D - 3	2S2-22110-70	D - 7	5UN-22212-G0	F - 2	5XE-23153-L0	D - 12	5XC-2470F-A0	E - 3	5XC-25872-L0	E - 10
5XC-21288-90	D - 3	5XC-22121-91	D - 8	1C3-22213-L0	D - 9	2HH-23158-L0	D - 12	5XC-2470F-B0	E - 3	5XC-25873-L0	E - 12
1C3-2135F-00	D - 8	5XC-22122-L0	D - 8	1C3-22214-50	D - 10	5XC-2315H-00	D - 14	2S2-24710-70	E - 3	1C3-25876-50	E - 12
1C3-2139F-00	D - 8	2S2-22128-70	D - 7	5MV-22224-00	D - 10	5XC-2315J-00	D - 14	2S2-24710-80	E - 3	1C3-25886-50	E - 12
2S2-21417-00	D - 3	1C3-22141-10	D - 7	4JX-22226-00	D - 9	2S2-2316A-20	D - 12	5XC-24710-A0	E - 3	5MV-2589F-00	E - 10
2S2-21425-70	D - 2	2S2-22151-70	D - 7	3SP-22234-00	D - 9	2S2-2316A-30	D - 12	5XC-24710-B0	E - 3	5UN-25914-00	E - 8
2S2-21426-70	D - 2	5UN-22176-00	D - 10	5NY-22241-00	D - 10	2S2-23170-20	D - 12	5NY-25104-00	E - 4	5DH-25914-50	E - 8
1C3-21447-10	D - 2	30X-22178-00	D - 2	5XE-22242-00	D - 10	2S2-23170-30	D - 12	5NY-25111-00	E - 4	3SP-25914-51	E - 5
1C3-21448-10	D - 2	3JD-22178-20	D - 2	1C3-22253-50	D - 10	5XE-23171-L0	D - 12	5NY-25117-00	E - 4	5DH-25916-00	E - 5
5XC-21456-90	D - 3	5XC-2217A-L0	D - 7	1C3-22253-L0	D - 10	5DH-23183-00	D - 9	5XC-25181-G0	E - 4		
2S2-21471-00	D - 3	5XC-2217F-L0	D - 7	4AA-22259-40	D - 9	509-23184-L0	D - 9	5XC-25183-G0	E - 4	3JD-25917-00	E - 5
2S2-2147E-00	D - 3	4V4-22184-00	D - 2	4AA-22259-50	D - 9	1C3-23188-L0	D - 12	5XC-25186-G0	E - 4		
1C3-21511-51	D - 4	5MV-22184-00	D - 10	4AA-22259-60	D - 9	1C3-23188-N0	D - 12	5HD-25304-00	E - 6	5DH-25919-00	E - 5
2S2-21511-70	D - 4	2S2-22199-70	D - 7	4AA-22259-80	D - 9	1C3-23188-P0	D - 12	5TJ-2530S-80	E - 7	5DH-25919-50	E - 8
4LB-2151H-02	D - 4	2S2-22200-A0	D - 9	1P8-22355-00	D - 7	1C3-23188-R0	D - 12	5ET-25311-00	E - 6	8CR-25924-00	E - 8
3XJ-2151H-A1	D - 4	2S2-22200-B0	D - 9	4EW-22474-00	D - 10	1C3-23190-L0	D - 12	5ET-25317-00	E - 6	3SP-25926-51	E - 5
3XJ-2151H-B1	D - 5	2S2-22200-C0	D - 9	3JE-22475-00	D - 10	2S2-23340-10	D - 14	4XM-25364-00	E - 6	5DH-25933-00	E - 5
4XL-2153A-10	D - 14	2S2-22200-D0	D - 9	5NY-22475-00	D - 10	5XE-23389-00	D - 11	1C3-25381-90	E - 7	1UY-25937-51	E - 5
4ES-2153E-01	D - 4	2S2-22200-E0	D - 9	1C3-22565-00	D - 10	4EW-23416-00	D - 11	1C3-25388-50	E - 7		
3WF-2153E-10	D - 4	2S2-22200-F0	D - 9	5UN-22898-60	E - 8	2S2-23435-71	D - 11	1C3-25389-00	E - 7	5XC-26111-L0	E - 9
4ES-2153E-10	D - 4	2S2-22200-G0	D - 9	1C3-22969-90	D - 7	5XC-23441-90	D - 11	3JE-25394-00	E - 6	5XC-26124-90	E - 9
3WF-2153E-70	D - 4	2S2-22200-H0	D - 9	2S2-23102-A0	D - 12	5UM-23442-E0	D - 11	5SF-25394-00	E - 4	5XC-26143-L0	E - 9
5RU-21568-00	D - 5	2S2-22200-J0	D - 9	2S2-23102-B0	D - 12	5XC-23466-L0	D - 14	1C3-25447-00	E - 6	5XC-26143-M0	E - 9
2S2-21610-70	D - 4	2S2-22201-A0	D - 9	2S2-23103-A0	D - 13	5XC-23467-L0	D - 14	1C3-25448-00	E - 6	5TJ-26240-C0	E - 9
5XC-21610-90	D - 4	2S2-22201-B0	D - 9	2S2-23103-B0	D - 13	1C3-23485-90	D - 11	1C3-25449-00	E - 6	4GY-26241-00	E - 9
5XE-21635-10	D - 4	2S2-22201-C0	D - 9	2S2-23110-00	D - 13	2S2-24110-70	D - 15	1C3-25450-00	E - 6	4GY-26242-00	E - 9
2S2-2163G-00	D - 5	2S2-22201-D0	D - 9	5XC-23111-00	D - 12	4EW-2412F-00	D - 15	1C3-25451-00	E - 6	3Y1-26249-00	E - 9
5TA-21642-00	D - 4	2S2-22201-E0	D - 9	276-23114-00	D - 12	5XE-24144-00	D - 15	1C3-25452-00	E - 6	5BE-26281-00	E - 9
2S2-2165A-10	D - 5	2S2-22201-F0	D - 9	2S2-23120-00	D - 12	3ME-2415E-01	D - 5	5CG-25715-00	E - 10	5BE-26282-00	E - 9
3RV-21668-A0	D - 8	2S2-22201-G0	D - 9	5XE-23125-L0	D - 12	3FB-2415E-02	D - 4		E - 12	5SF-26287-10	E - 9
3RV-21668-B0	D - 8	2S2-22201-H0	D - 9	2S2-23136-00	D - 12	3FB-2415E-12	D - 4	1C3-25718-50	E - 8	2S2-26302-00	E - 9
5XC-21710-90	D - 6	2S2-22201-J0	D - 9	1C3-23141-A1	F - 2	3FB-2415E-C1	D - 4	5XC-2580T-G0	E - 5	2S2-26334-00	E - 14
5XC-21720-90	D - 6	1C3-22212-00	F - 2	1C3-23141-B1	F - 2	4SR-2416E-00	D - 4	1C3-2580W-51	E - 8	2S2-26335-70	E - 9
2S2-2172A-70	D - 6	5UN-22212-00	F - 2	1C3-23141-C1	F - 2	5XC-24181-90	D - 15	1C3-2580W-71	E - 8	5HD-26337-00	E - 14
2S2-2172A-80	D - 6	1C3-22212-10	F - 2	1C3-23141-D1	F - 2	5XC-24182-90	E - 2	5XC-2581T-G0	E - 5	5TA-26339-00	E - 14

NUMERICAL INDEX

PART NO.	GRID NO.	PART NO.	GRID NO.	PART NO.	GRID NO.	PART NO.	GRID NO.	PART NO.	GRID NO.	PART NO.	GRID NO.
1C3-26342-50	E - 9	90105-05014	D - 3	90119-06149	D - 11	90201-08061	C - 4	90387-06090	D - 4	90480-15528	B - 9
5HD-26372-00	E - 14	90105-06027	B - 2	90119-08095	D - 6		C - 5		D - 15	90480-18549	D - 15
5XC-26372-G0	E - 10	90105-06064	D - 6	90122-06005	B - 13	90201-08410	C - 3	90387-06104	D - 11	90501-043E0	C - 9
2S2-27200-10	E - 11	90105-06081	C - 6	90149-05162	E - 14	90201-08512	B - 8	90387-08041	D - 2	90501-052G5	C - 15
5UN-27217-00	E - 12		C - 13	90149-06068	B - 11	90201-10025	B - 2	90387-08081	C - 4	90501-06022	C - 14
1C3-27217-10	E - 11	90105-06100	D - 4	90149-06074	C - 6	90201-10032	E - 11		C - 5	90501-147A5	C - 10
5UN-27218-00	E - 12	90105-06103	D - 6	90149-06081	E - 13	90201-10045	D - 2	90387-086N4	D - 2	90501-160A2	C - 10
5UN-27222-00	E - 12	90105-06104	D - 7	90149-06083	B - 4	90201-12166	B - 11	90387-124F4	C - 15	90501-230E4	C - 11
1C3-27311-00	E - 11	90105-06105	D - 7	90149-06108	E - 2	90201-125L6	C - 11	90387-14009	D - 8	90506-16007	E - 11
5XC-27411-M0	E - 11	90105-06106	D - 4	90149-10031	D - 2	90201-127E1	C - 15	90387-16025	D - 7	90508-26021	C - 14
5XC-27421-M0	E - 11	90105-06107	D - 11	90151-04003	D - 7		E - 13	90387-18004	D - 7	90508-28015	E - 11
1C3-27491-50	E - 8		D - 15	90151-06032	D - 3	90201-14020	D - 8	90387-18007	C - 6	90508-28018	E - 11
5XC-28116-00	D - 3		E - 8	90151-06051	E - 5	90201-15701	C - 8	90387-18012	D - 7	90508-29021	C - 15
5TA-2814F-00	D - 3	90105-06108	E - 8	90151-06071	C - 6	90201-16018	D - 7	90387-20028	C - 12	90508-305B0	C - 10
5ET-28166-10	D - 3	90105-06110	E - 8	90152-06010	C - 10	90201-162H4	C - 10	90387-21005	C - 12	91312-06012	B - 9
5TA-82310-10	E - 15	90105-06111	B - 9	90154-05022	E - 15	90201-167P7	C - 10	90387-225N2	E - 9	91312-06020	B - 12
2S2-82509-01	E - 15		D - 15	90159-06010	C - 11	90201-20020	E - 7	90387-2513F	C - 13		B - 13
2S2-82540-00	E - 15		E - 8	90170-10405	B - 4	90201-203E7	C - 12	90387-28012	C - 12	91312-06030	B - 11
5XE-82911-00	E - 14	90105-08137	C - 4	90170-14171	B - 4	90201-20685	C - 10	90401-10172	E - 10		C - 6
5XD-82913-00	E - 14		C - 5	90170-20327	C - 11	90201-21014	D - 7		E - 12	91312-06050	C - 6
5XD-82946-00	E - 14		E - 5	90170-24003	D - 11	90201-24016	D - 11	90430-06014	B - 2	91312-06060	C - 6
5MV-83912-00	E - 14	90105-08143	D - 3	90179-06028	D - 7	90201-253K0	C - 12		B - 7	91312-06065	B - 12
5XC-83922-L0	E - 10	90105-08146	D - 2	90179-08019	E - 7	90201-286K9	D - 11		B - 8	91312-06080	C - 6
5TA-83941-00	E - 14	90105-08154	D - 11	90179-10658	D - 2	90202-05193	E - 2		C - 7	91316-04012	B - 14
5HD-83951-00	E - 14		D - 14	90179-12657	E - 13	90202-08045	B - 14	90430-08119	C - 6	91402-20012	E - 11
1C3-83976-00	E - 14	90105-08156	D - 2	90179-16011	E - 4	90206-06090	C - 4	90430-10005	E - 10	91402-25015	E - 11
5LP-84126-10	E - 14	90105-08307	C - 4	90179-20001	C - 13	90208-25045	C - 11		E - 12	91808-16023	B - 2
2S2-85540-B0	E - 15		C - 5	90179-20009	C - 11	90209-06014	B - 13	90430-10188	C - 6	91812-16001	C - 8
2S2-85540-C0	E - 15		D - 2	90179-28003	D - 11	90209-16011	D - 7	90445-09220	D - 15	91A20-05065	B - 9
1C3-85546-00	E - 15	90105-10163	B - 2	90183-060A6	B - 9	90209-21332	C - 12	90445-09251	D - 15	92012-05008	D - 3
2S2-85550-00	E - 13	90105-10176	D - 3	90185-08008	E - 7	90209-26348	C - 12	90445-14009	B - 11	92012-05012	E - 14
2S2-85560-01	E - 13	90105-10189	D - 2	90185-08009	D - 2	90215-10009	B - 4	90450-17001	B - 11	92012-06010	B - 9
5XC-85885-00	C - 3	90105-10191	D - 3	90185-10012	D - 10	90215-14287	B - 4	90450-22001	B - 9	92902-06600	B - 7
5XC-W0041-00	E - 10	90105-10193	D - 2	90185-14010	D - 8	90215-20005	C - 11	90450-25001	B - 9	92902-08200	D - 3
5UN-W0042-50	E - 12	90109-06034	E - 14	90185-16002	D - 7	90215-21003	C - 13	90450-28001	B - 9	92902-10200	D - 10
5XC-W0045-00	E - 5	90109-06198	C - 14	90185-20002	E - 7	90240-08120	E - 11	90450-57010	B - 13		D - 11
1C3-W0046-50	E - 8	90109-06232	D - 14	90201-03313	B - 13	90240-10004	E - 11	90450-61002	B - 13	93101-14164	C - 8
1C3-W0046-B0	E - 8	90109-06245	B - 13	90201-05017	C - 5	90267-32070	B - 13	90461-10136	C - 7	93102-12106	B - 8
5KM-W0047-10	E - 5	90109-08078	E - 7	90201-06013	C - 14	90267-48084	C - 4	90464-13073	E - 15	93102-12224	C - 11
5UN-W0047-50	E - 8	90110-05038	B - 13	90201-06032	D - 4		C - 5	90464-13077	E - 15		C - 15
1UY-W0048-50	E - 5	90110-06228	B - 12	90201-06085	D - 4	90280-03006	B - 4	90464-15195	E - 15	93102-20108	C - 10
	E - 8	90110-08087	C - 10	90201-06570	D - 15	90282-05034	B - 4	90465-13275	E - 2	93102-26468	E - 4
5XC-W0057-00	E - 5	90110-08097	C - 4	90201-06571	B - 10	90340-12007	B - 2		E - 15	93102-32480	C - 13
5UN-W0057-50	E - 8		C - 5	90201-08043	D - 2	90340-14003	C - 8	90467-090A2	B - 9	93106-22002	D - 7
5XC-W2587-00	E - 10	90111-06059	E - 12	90201-08044	E - 11	90340-27003	C - 8	90467-100A1	E - 2	93106-30001	E - 6
90101-06041	C - 15	90116-08022	B - 2	90201-08045	D - 2	90387-06009	D - 4	90467-140A4	B - 2	93106-30045	E - 6
90101-06044	C - 10	90119-06146	D - 3	90201-08047	C - 10	90387-06065	B - 9	90468-16001	E - 11	93109-11073	B - 8
90101-08006	E - 7	90119-06147	D - 4	90201-08048	E - 7		D - 15	90480-08608	E - 7	93109-22019	D - 8

NUMERICAL INDEX

PART NO.	GRID NO.	PART NO.	GRID NO.	PART NO.	GRID NO.	PART NO.	GRID NO.	PART NO.	GRID NO.	PART NO.	GRID NO.
93109-25001	D - 7	93603-16219	B - 11	98502-06025	C - 6						
93109-28043	D - 7	93604-10011	B - 8	98702-06025	D - 15						
93210-07135	B - 12	93608-33002	C - 15	98706-04012	E - 10						
93210-08003	C - 8	93612-16254	B - 3	98980-06008	C - 4						
93210-09165	C - 7	9383E-13233	C - 13		C - 5						
93210-10197	C - 6	94108-21025	E - 4	99009-12400	B - 11						
93210-11073	E - 11	94112-19008	E - 6	99009-16400	C - 10						
93210-14369	C - 8	94211-19273	E - 6	99009-20400	C - 10						
93210-16500	B - 9	94227-21101	E - 4	99009-20500	C - 11						
93210-17570	C - 10	94309-21161	E - 4	99009-22500	C - 8						
93210-19123	C - 8	94311-19155	E - 6	99009-45500	E - 6						
93210-19758	B - 8	94416-21034	E - 4	99530-08012	B - 11						
93210-21001	E - 15	94416-21040	E - 4	99530-08016	C - 8						
93210-22164	C - 13	94421-19005	E - 6	99530-10114	B - 11						
93210-27370	C - 8	94421-19006	E - 6		C - 6						
93210-47675	B - 12	94591-57118	B - 7	99530-14016	C - 6						
93300-60839	D - 2	94681-68001	E - 7	9Y581-92113	E - 7						
93304-20310	B - 4	94701-00410	B - 2								
93306-00105	B - 8	94701-00411	B - 2								
93306-00426	C - 12	94703-00410	B - 2								
93306-00431	C - 12	94703-00411	B - 2								
93306-07202	E - 6	95022-06010	B - 2								
93306-20532	C - 12	95022-06012	B - 9								
93306-205A5	C - 12		C - 7								
93306-27212	E - 6	95022-06016	B - 3								
93306-30633	B - 4	95022-06020	C - 15								
93306-80501	C - 14	95022-06025	B - 7								
93306-90409	E - 4	95022-06030	B - 8								
93306-90509	C - 14		B - 11								
93310-63417	B - 4		C - 8								
93315-32166	D - 7	95022-06035	B - 2								
93315-32269	D - 7	95022-06040	C - 8								
93317-11287	C - 11	95022-06080	C - 9								
93317-22262	D - 7	95022-08040	D - 2								
93332-00068	D - 11	95022-10016	C - 6								
93332-00081	D - 14	95602-05100	E - 14								
93340-21505	C - 11	95602-10200	D - 10								
93342-22217	D - 7		D - 11								
93410-20038	C - 10	95701-06500	E - 10								
93420-18082	B - 4	95702-06500	D - 14								
93440-10085	C - 11	95702-08500	B - 2								
93440-10153	B - 11	95822-08016	C - 6								
93440-25084	C - 12	97002-05016	E - 14								
93440-28062	C - 12	97022-06016	B - 7								
93440-41178	B - 7	97702-60016	D - 4								
93503-08007	C - 9	98502-03008	D - 15								
93507-32009	C - 10	98502-05010	E - 12								
93511-32027	C - 11	98502-05020	E - 9								